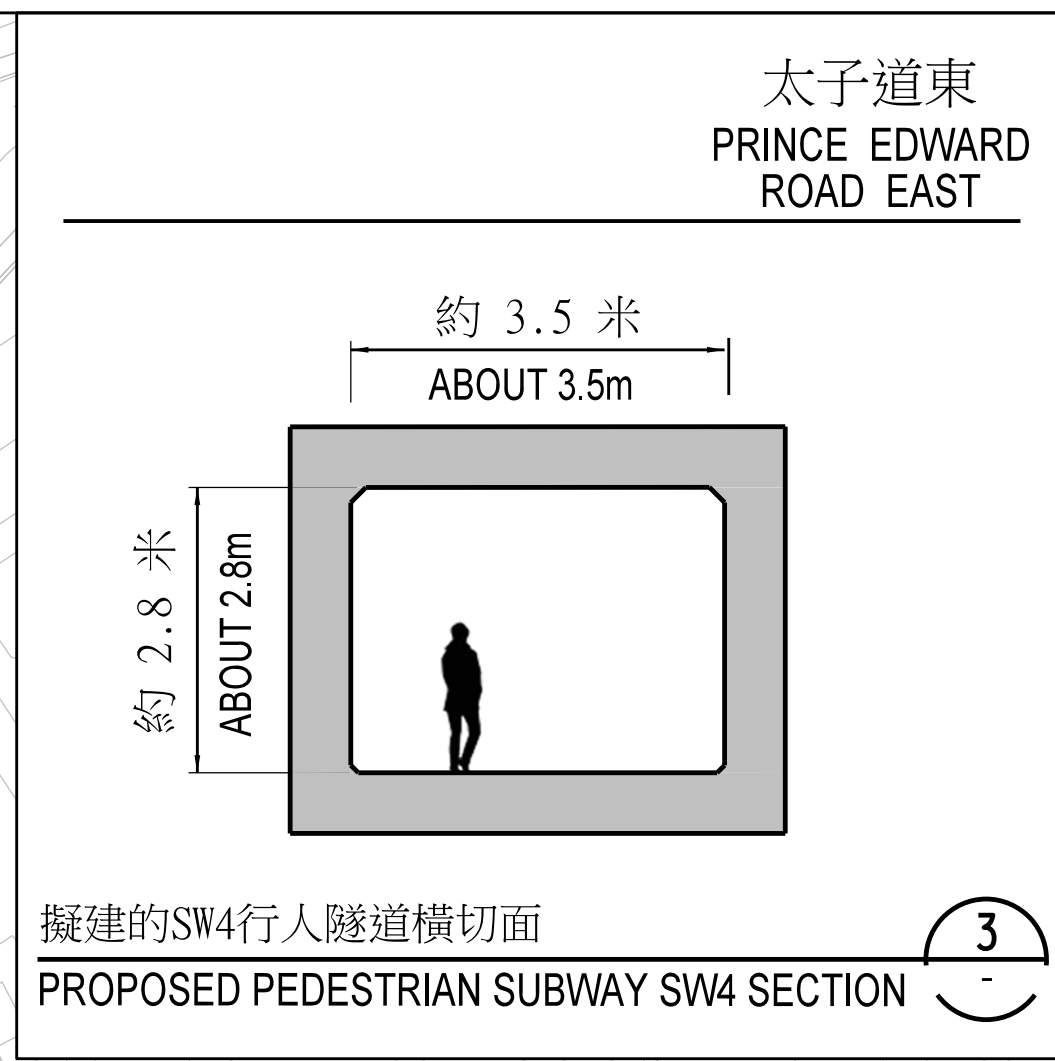
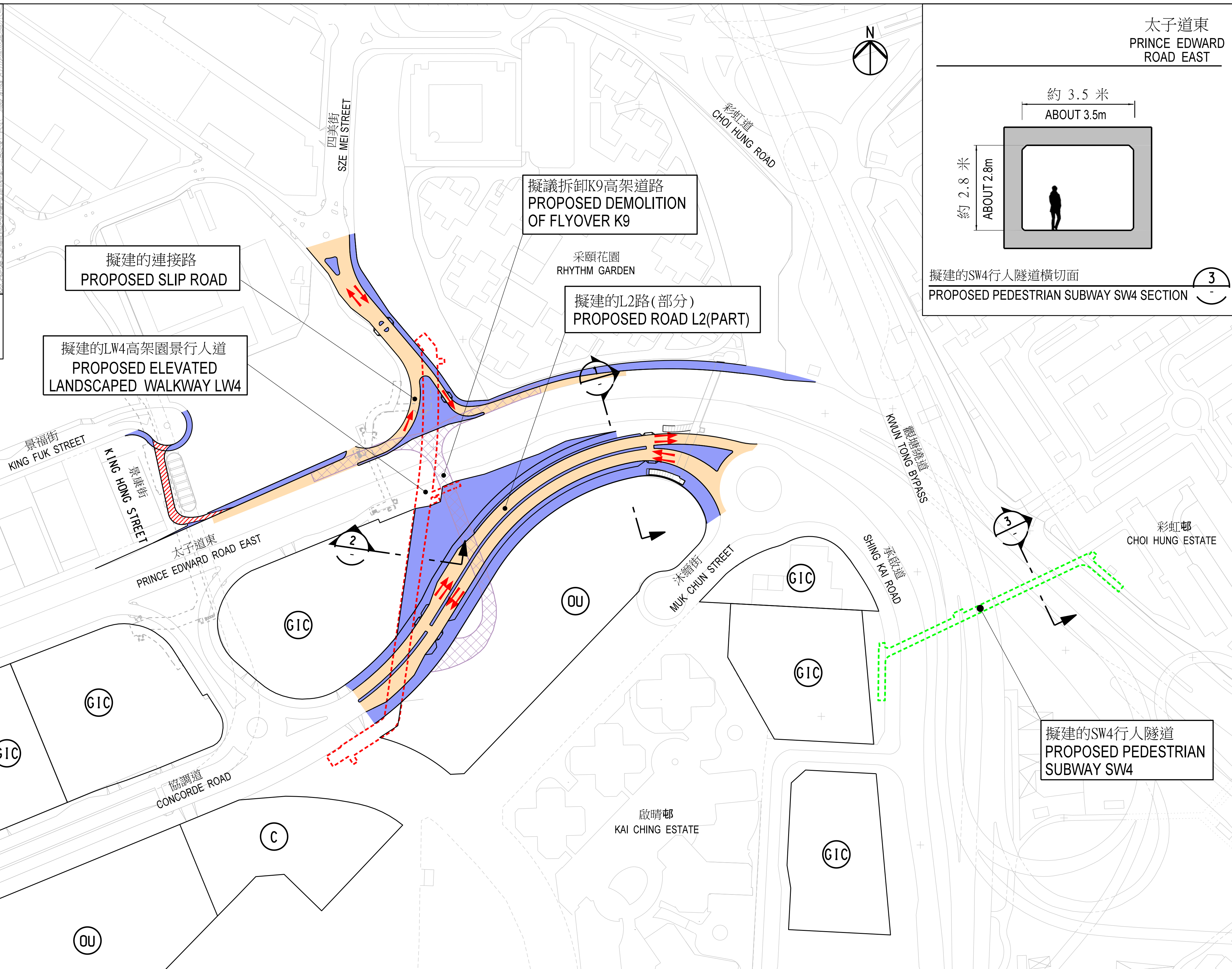
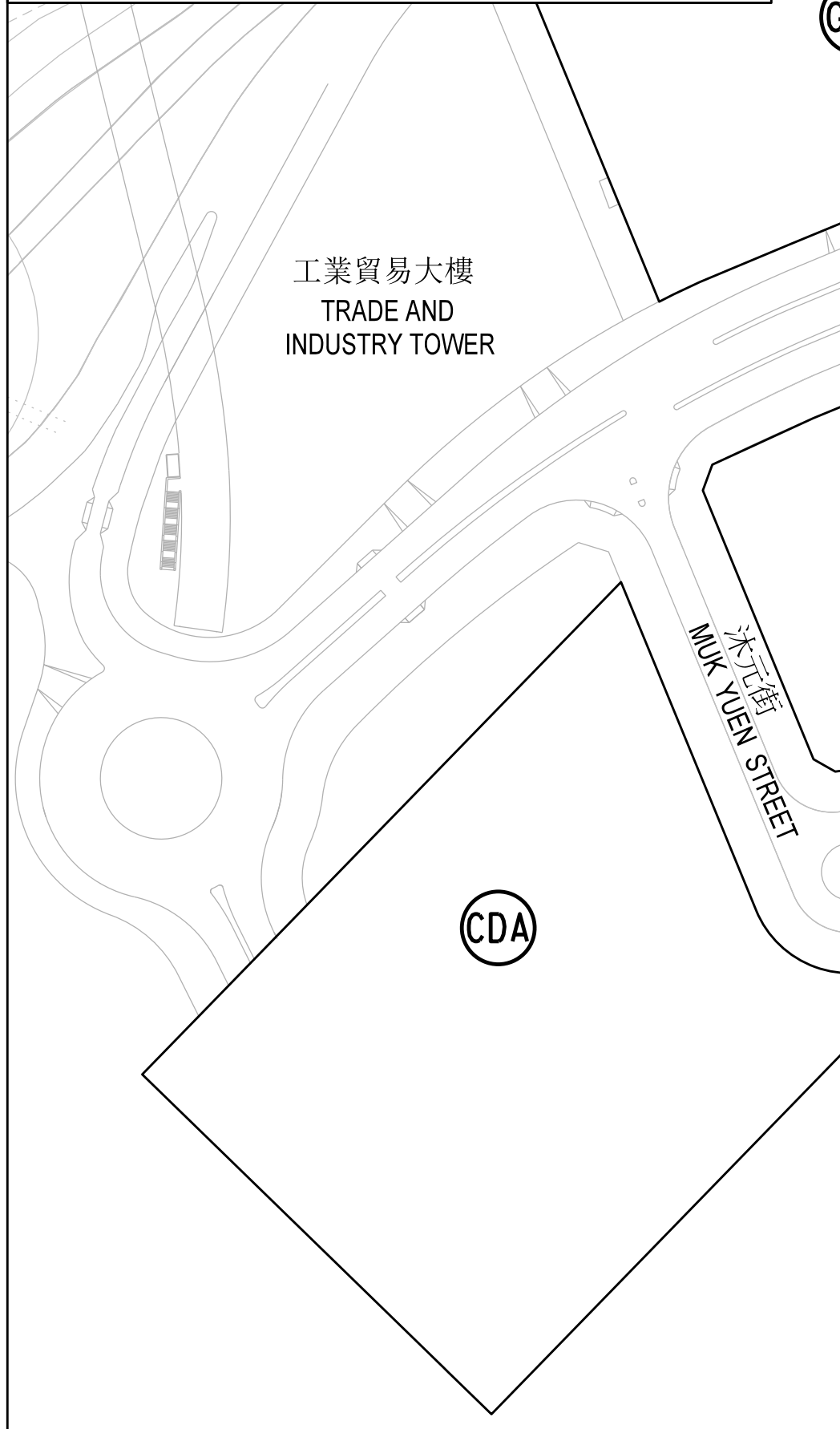
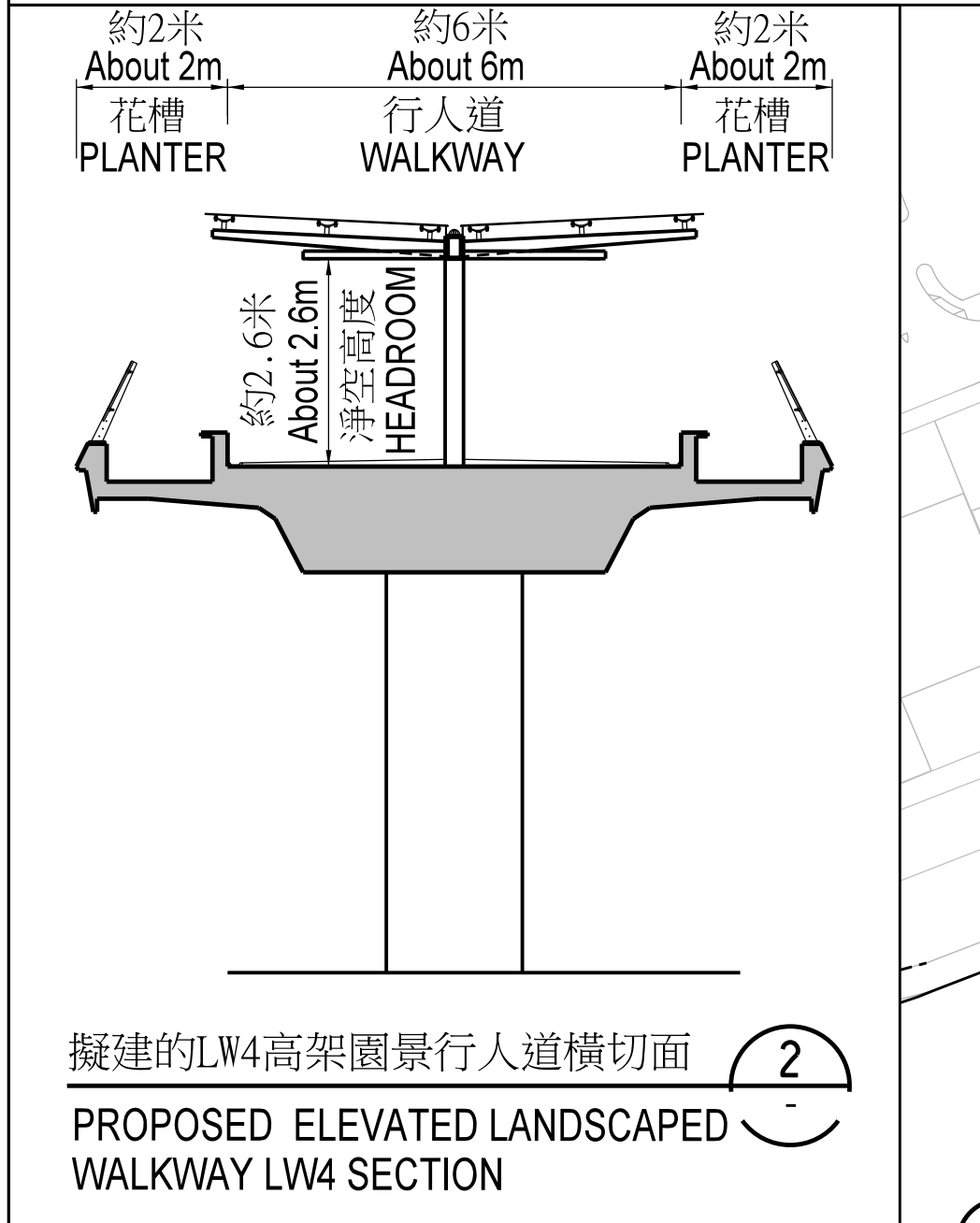
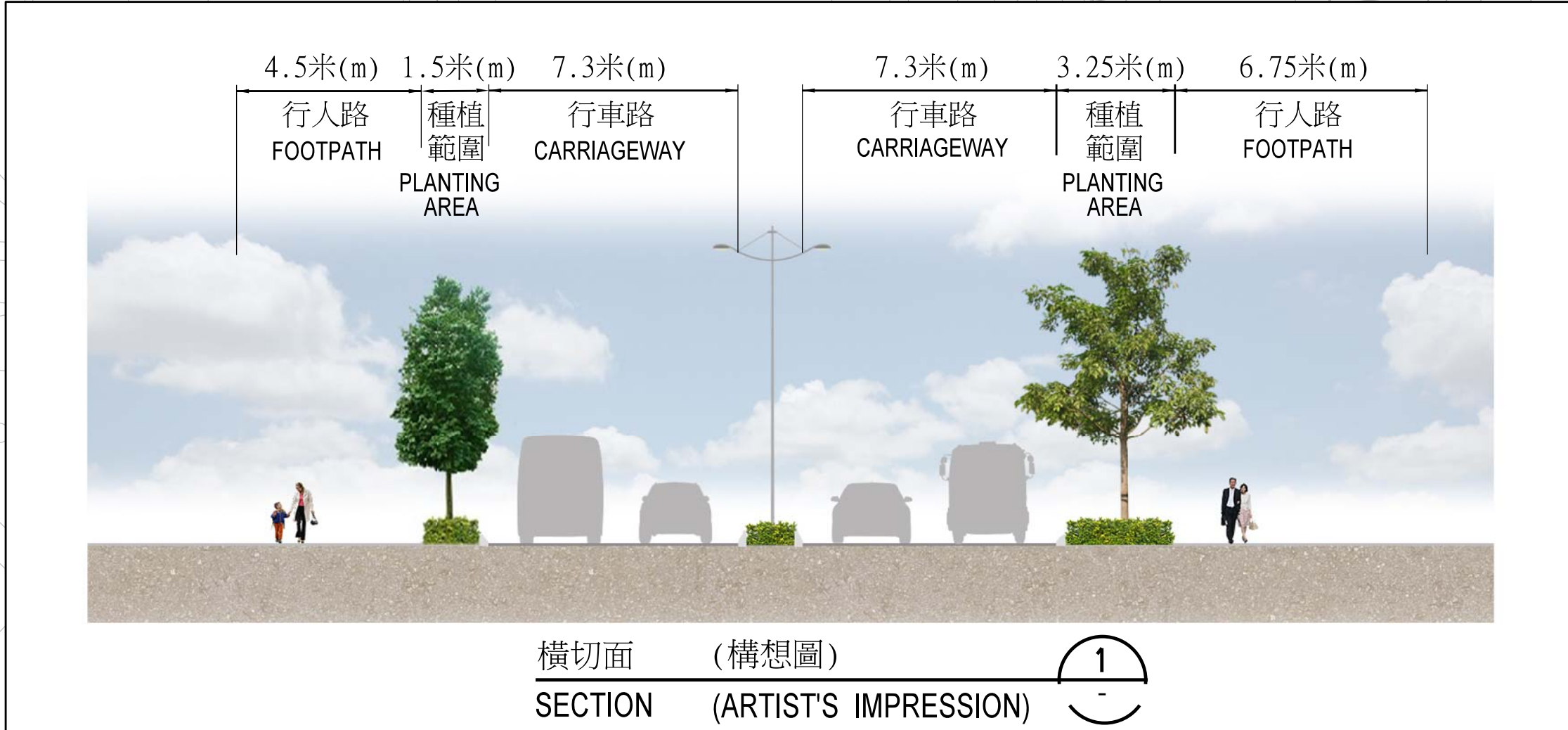


3B期工程位置
LOCATION OF STAGE 3B WORKS



- 圖例
LEGEND:
- 擬建的行車道/重建或擴闊現有行車道
PROPOSED CARRIAGEWAY / RE-CONSTRUCTION AND WIDENING OF EXISTING CARRIAGEWAY
 - 擬建/重建的行人路,中央分隔帶,安全島或種植範圍
PROPOSED / RE-CONSTRUCTION OF FOOTPATH, CENTRAL MEDIAN, TRAFFIC ISLAND OR PLANTING AREA
 - 擬建的高架園景行人道
PROPOSED ELEVATED LANDSCAPED WALKWAY
 - 擬建的行人隧道
PROPOSED PEDESTRIAN SUBWAY
 - 擬永久封閉行車道並改建為行人路
PROPOSED PERMANENT CLOSURE OF CARRIAGEWAY FOR CONVERSION INTO FOOTPATH
 - 擬議拆卸K9高架道路
PROPOSED DEMOLITION OF FLYOVER K9
 - 行車道的行車方向 (每一箭嘴表示一條行車線)
TRAFFIC FLOW DIRECTION ON CARRIAGEWAY (ONE ARROW REPRESENTS ONE LANE)
 - 建議的商業發展用地
PROPOSED SITE FOR COMMERCIAL DEVELOPMENT
 - 擬議的綜合發展用地
PROPOSED SITE FOR COMPREHENSIVE DEVELOPMENT AREA
 - 擬議的政府、機構或社區用地
PROPOSED SITE FOR GOVERNMENT/ INSTITUTION/ COMMUNITY
 - 擬議的其他指定用途用地
PROPOSED SITE FOR OTHER SPECIFIED USES



工程名稱 project title
工務計劃項目第469CL號
啓德發展計劃一
啓德機場北面停機坪的基礎設施

PWP ITEM NO. 469CL
KAI TAK DEVELOPMENT -
INFRASTRUCTURE AT NORTH APRON
AREA OF KAI TAK AIRPORT

圖則名稱 plan title
前北面停機坪
第3B期基礎設施 - 平面圖

STAGE 3B INFRASTRUCTURE AT
FORMER NORTH APRON AREA -
LAYOUT PLAN

