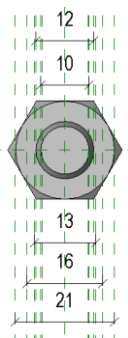
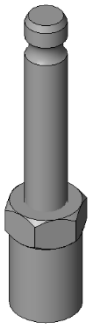
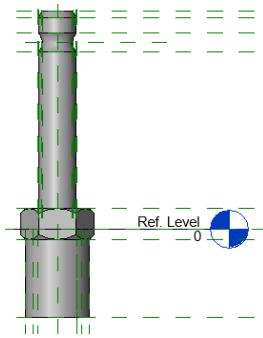
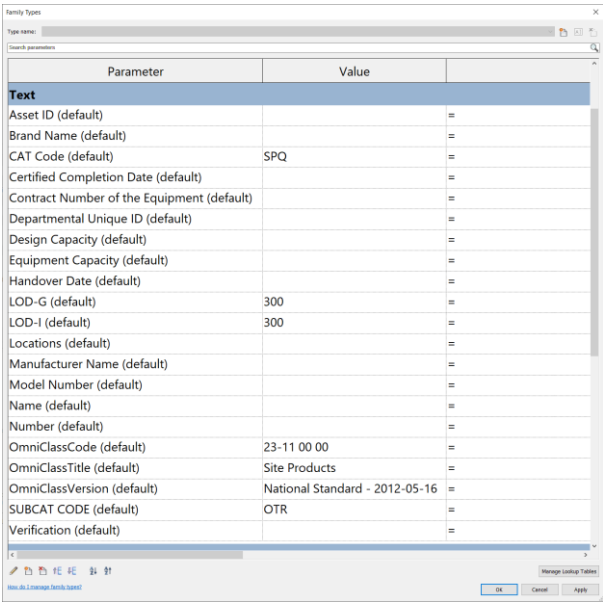
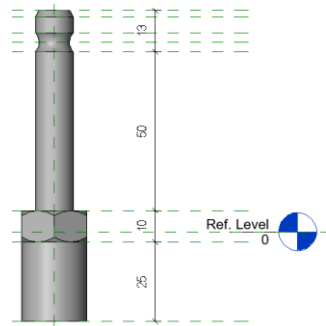


BIM OBJECT SHEET

QR Code for FM	SOFTWARE VERSION REVIT 2020	REFERENCE NUMBER CEDD-OS-0045
	DATE 08/2025	
	REVISION 00	

INPUT

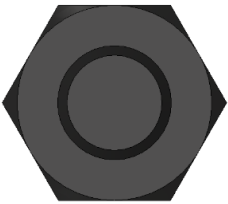

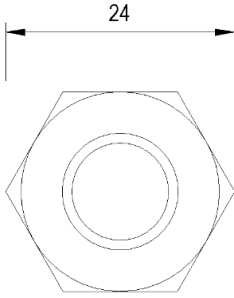
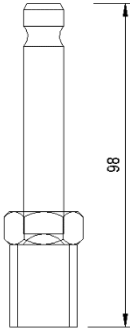
BIM OBJECT NAME SPQ-OTR-CGE-PrismAdaptor-__		BIM OBJECT CATEGORY Site	LOD 300	3D GEOMETRY
 <p>PLAN</p>		 <p>3D</p>		
 <p>FRONT ELEVATION</p>		 <p>PROPERTY / PARAMETER</p>		
 <p>SIDE / SECTION ELEVATION</p>				

2D SYMBOL NAME XXX	2D SYMBOL	2D TAG / LABEL / ANNOTATION NAME XXX	2D TAG / LABEL / ANNOTATION
N.A.		N.A.	

REMARKS

PURPOSE/VALUE-DRIVEN BIM OBJECT DELIVERABLES

OUTPUT

SHEET VIEW: PLAN	SHEET VIEW: ELEVATION																					
		PRESENTATION DRAWING																				
<p style="text-align: center;">N.A.</p>	<p style="text-align: center;">N.A.</p>	STATUTORY / AUTHORITIES SUBMISSION DRAWING																				
		TENDER / CONSTRUCTION DRAWING																				
<table border="1" style="width: 100%; border-collapse: collapse;"> <thead> <tr> <th colspan="5" style="text-align: center;"><Site Schedule></th> </tr> <tr> <th style="width: 20%;">A</th> <th style="width: 20%;">B</th> <th style="width: 20%;">C</th> <th style="width: 20%;">D</th> <th style="width: 20%;">E</th> </tr> <tr> <th>Family</th> <th>Type</th> <th>Mark</th> <th>Material</th> <th>Material Grade</th> </tr> </thead> <tbody> <tr> <td>SPQ-OTR-CGE-PrismAdaptor-__</td> <td>SPQ-OTR-CGE-PrismAdaptor-__</td> <td></td> <td>Stainless Steel</td> <td>__</td> </tr> </tbody> </table>		<Site Schedule>					A	B	C	D	E	Family	Type	Mark	Material	Material Grade	SPQ-OTR-CGE-PrismAdaptor-__	SPQ-OTR-CGE-PrismAdaptor-__		Stainless Steel	__	SCHEDULE IN DRAWING
<Site Schedule>																						
A	B	C	D	E																		
Family	Type	Mark	Material	Material Grade																		
SPQ-OTR-CGE-PrismAdaptor-__	SPQ-OTR-CGE-PrismAdaptor-__		Stainless Steel	__																		