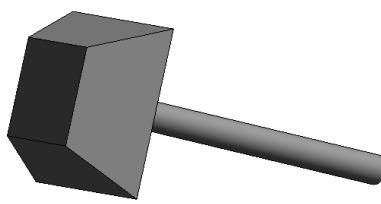
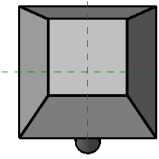
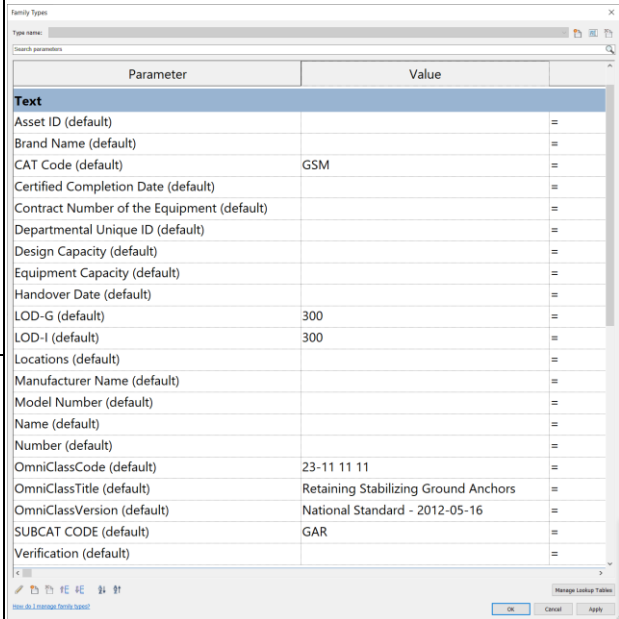
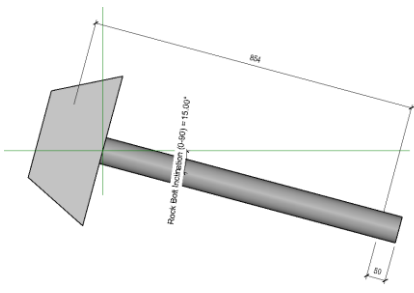


BIM OBJECT SHEET

QR Code for FM	SOFTWARE VERSION REVIT 2020	REFERENCE NUMBER CEDD-OS-0024
	DATE 08/2025	
	REVISION 00	

INPUT

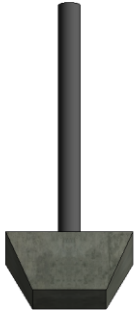
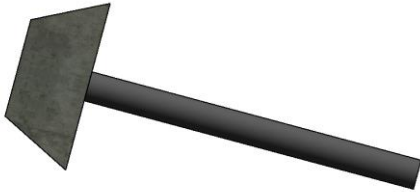
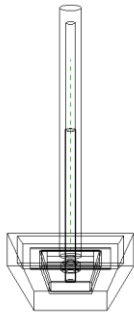
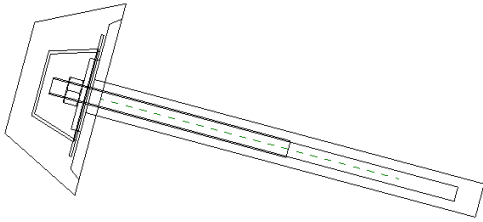
BIM OBJECT NAME GSM-GAR-CGE-RockBolt-__		BIM OBJECT CATEGORY Site	LOD 300	3D GEOMETRY	
PLAN			3D		
FRONT ELEVATION					
SIDE / SECTION ELEVATION			PROPERTY / PARAMETER		

2D SYMBOL NAME XXX	2D SYMBOL	2D TAG / LABEL / ANNOTATION NAME XXX	2D TAG / LABEL / ANNOTATION
N.A.		N.A.	

REMARKS

PURPOSE/VALUE-DRIVEN BIM OBJECT DELIVERABLES

OUTPUT

SHEET VIEW: PLAN	SHEET VIEW: ELEVATION																									
		PRESENTATION DRAWING																								
N.A.	N.A.	STATUTORY / AUTHORITIES SUBMISSION DRAWING																								
		TENDER / CONSTRUCTION DRAWING																								
<table border="1" style="width: 100%; border-collapse: collapse;"> <thead> <tr> <th colspan="6" style="text-align: center;"><Site Schedule></th> </tr> <tr> <th style="width: 16.6%;">A</th> <th style="width: 16.6%;">B</th> <th style="width: 16.6%;">C</th> <th style="width: 16.6%;">D</th> <th style="width: 16.6%;">E</th> <th style="width: 16.6%;">F</th> </tr> <tr> <th>Family</th> <th>Type</th> <th>Mark</th> <th>Hole Dia.</th> <th>Rock Bolt Dia</th> <th>Rock Bolt Inclination</th> </tr> </thead> <tbody> <tr> <td>GSM-GAR-CGE-RockBolt-__</td> <td>GSM-GAR-CGE-RockBolt-__</td> <td></td> <td>75</td> <td>32</td> <td>15.00°</td> </tr> </tbody> </table>		<Site Schedule>						A	B	C	D	E	F	Family	Type	Mark	Hole Dia.	Rock Bolt Dia	Rock Bolt Inclination	GSM-GAR-CGE-RockBolt-__	GSM-GAR-CGE-RockBolt-__		75	32	15.00°	SCHEDULE IN DRAWING
<Site Schedule>																										
A	B	C	D	E	F																					
Family	Type	Mark	Hole Dia.	Rock Bolt Dia	Rock Bolt Inclination																					
GSM-GAR-CGE-RockBolt-__	GSM-GAR-CGE-RockBolt-__		75	32	15.00°																					