

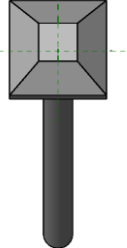
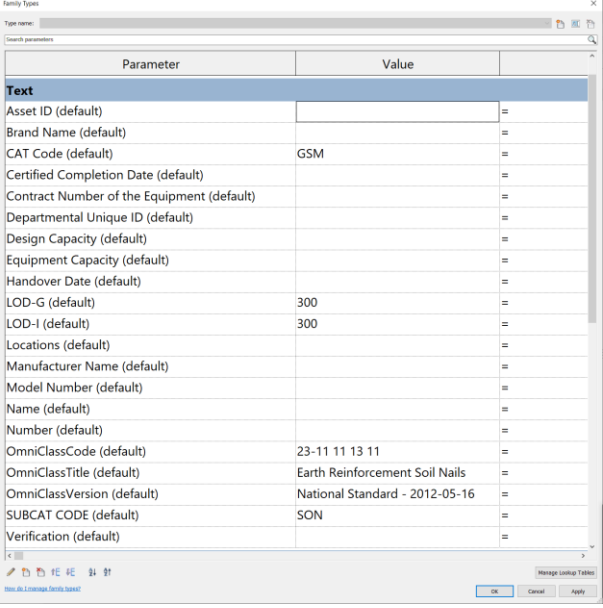
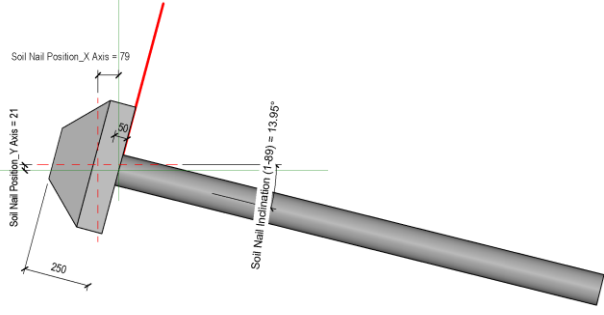



# BIM OBJECT SHEET

<b>QR Code for FM</b>	SOFTWARE VERSION <b>REVIT 2020</b>	<b>REFERENCE NUMBER</b>  <b>CEDD-OS-0022</b>
	DATE <b>08/2025</b>	
	REVISION <b>00</b>	

## INPUT

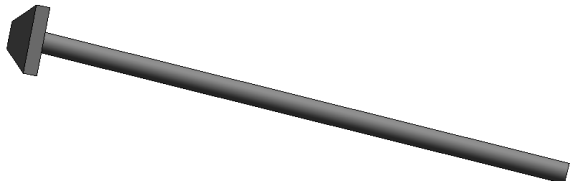
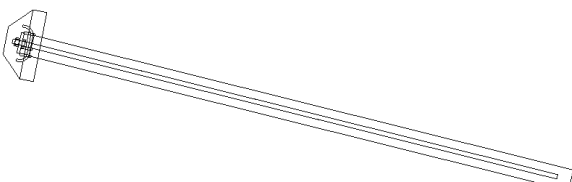
BIM OBJECT NAME <b>GSM-SON-CGE-SoilNail-04</b>		BIM OBJECT CATEGORY <b>Site</b>	LOD <b>300</b>	<b>3D GEOMETRY</b>																																																																							
<b>PLAN</b>			<b>3D</b>																																																																								
<b>FRONT ELEVATION</b>			 <table border="1" style="width: 100%; border-collapse: collapse;"> <thead> <tr> <th>Parameter</th> <th>Value</th> <th></th> </tr> </thead> <tbody> <tr><td colspan="3"><b>Text</b></td></tr> <tr><td>Asset ID (default)</td><td></td><td>=</td></tr> <tr><td>Brand Name (default)</td><td></td><td>=</td></tr> <tr><td>CAT Code (default)</td><td>GSM</td><td>=</td></tr> <tr><td>Certified Completion Date (default)</td><td></td><td>=</td></tr> <tr><td>Contract Number of the Equipment (default)</td><td></td><td>=</td></tr> <tr><td>Departmental Unique ID (default)</td><td></td><td>=</td></tr> <tr><td>Design Capacity (default)</td><td></td><td>=</td></tr> <tr><td>Equipment Capacity (default)</td><td></td><td>=</td></tr> <tr><td>Handover Date (default)</td><td></td><td>=</td></tr> <tr><td>LOD-G (default)</td><td>300</td><td>=</td></tr> <tr><td>LOD-I (default)</td><td>300</td><td>=</td></tr> <tr><td>Locations (default)</td><td></td><td>=</td></tr> <tr><td>Manufacturer Name (default)</td><td></td><td>=</td></tr> <tr><td>Model Number (default)</td><td></td><td>=</td></tr> <tr><td>Name (default)</td><td></td><td>=</td></tr> <tr><td>Number (default)</td><td></td><td>=</td></tr> <tr><td>OmniClassCode (default)</td><td>23-11 11 13 11</td><td>=</td></tr> <tr><td>OmniClassTitle (default)</td><td>Earth Reinforcement Soil Nails</td><td>=</td></tr> <tr><td>OmniClassVersion (default)</td><td>National Standard - 2012-05-16</td><td>=</td></tr> <tr><td>SUBCAT CODE (default)</td><td>SON</td><td>=</td></tr> <tr><td>Verification (default)</td><td></td><td>=</td></tr> </tbody> </table>			Parameter	Value		<b>Text</b>			Asset ID (default)		=	Brand Name (default)		=	CAT Code (default)	GSM	=	Certified Completion Date (default)		=	Contract Number of the Equipment (default)		=	Departmental Unique ID (default)		=	Design Capacity (default)		=	Equipment Capacity (default)		=	Handover Date (default)		=	LOD-G (default)	300	=	LOD-I (default)	300	=	Locations (default)		=	Manufacturer Name (default)		=	Model Number (default)		=	Name (default)		=	Number (default)		=	OmniClassCode (default)	23-11 11 13 11	=	OmniClassTitle (default)	Earth Reinforcement Soil Nails	=	OmniClassVersion (default)	National Standard - 2012-05-16	=	SUBCAT CODE (default)	SON	=	Verification (default)		=	
Parameter	Value																																																																										
<b>Text</b>																																																																											
Asset ID (default)		=																																																																									
Brand Name (default)		=																																																																									
CAT Code (default)	GSM	=																																																																									
Certified Completion Date (default)		=																																																																									
Contract Number of the Equipment (default)		=																																																																									
Departmental Unique ID (default)		=																																																																									
Design Capacity (default)		=																																																																									
Equipment Capacity (default)		=																																																																									
Handover Date (default)		=																																																																									
LOD-G (default)	300	=																																																																									
LOD-I (default)	300	=																																																																									
Locations (default)		=																																																																									
Manufacturer Name (default)		=																																																																									
Model Number (default)		=																																																																									
Name (default)		=																																																																									
Number (default)		=																																																																									
OmniClassCode (default)	23-11 11 13 11	=																																																																									
OmniClassTitle (default)	Earth Reinforcement Soil Nails	=																																																																									
OmniClassVersion (default)	National Standard - 2012-05-16	=																																																																									
SUBCAT CODE (default)	SON	=																																																																									
Verification (default)		=																																																																									
<b>SIDE / SECTION ELEVATION</b>			<b>PROPERTY / PARAMETER</b>																																																																								

2D SYMBOL NAME <b>GSM-SON-CGE-SoilNailSymbol-04</b>		2D TAG / LABEL / ANNOTATION NAME <b>XXX</b>		<b>2D TAG / LABEL / ANNOTATION</b>
		<b>2D SYMBOL</b>	<b>N.A.</b>	

<b>REMARKS</b>	This is a workplane-based family.
----------------	-----------------------------------

## PURPOSE/VALUE-DRIVEN BIM OBJECT DELIVERABLES

### OUTPUT

SHEET VIEW: PLAN	SHEET VIEW: ELEVATION																													
□ SN		PRESENTATION DRAWING																												
N.A.	N.A.	STATUTORY / AUTHORITIES SUBMISSION DRAWING																												
□ SN		TENDER / CONSTRUCTION DRAWING																												
<table border="1" style="width: 100%; border-collapse: collapse;"> <thead> <tr> <th colspan="7" style="text-align: center;">&lt;Site Schedule&gt;</th> </tr> <tr> <th style="width: 14.28%;">A</th> <th style="width: 14.28%;">B</th> <th style="width: 14.28%;">C</th> <th style="width: 14.28%;">D</th> <th style="width: 14.28%;">E</th> <th style="width: 14.28%;">F</th> <th style="width: 14.28%;">G</th> </tr> <tr> <th>Family</th> <th>Type</th> <th>Mark</th> <th>Soil Nail Diameter</th> <th>Soil Nail Inclination</th> <th>Soil Nail Overall Length</th> <th>Slope Profile Angle</th> </tr> </thead> <tbody> <tr> <td>GSM-SON-CGE-SoilNail-04</td> <td>GSM-SON-CGE-SoilNail-04</td> <td>32</td> <td></td> <td>13.95°</td> <td>4000</td> <td>45.00°</td> </tr> </tbody> </table>		<Site Schedule>							A	B	C	D	E	F	G	Family	Type	Mark	Soil Nail Diameter	Soil Nail Inclination	Soil Nail Overall Length	Slope Profile Angle	GSM-SON-CGE-SoilNail-04	GSM-SON-CGE-SoilNail-04	32		13.95°	4000	45.00°	SCHEDULE IN DRAWING
<Site Schedule>																														
A	B	C	D	E	F	G																								
Family	Type	Mark	Soil Nail Diameter	Soil Nail Inclination	Soil Nail Overall Length	Slope Profile Angle																								
GSM-SON-CGE-SoilNail-04	GSM-SON-CGE-SoilNail-04	32		13.95°	4000	45.00°																								