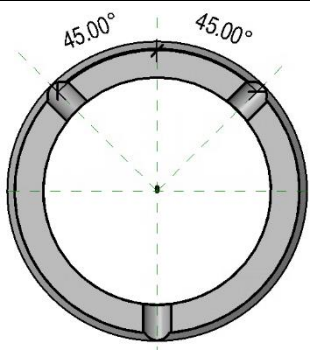
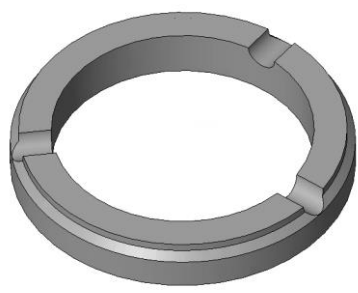
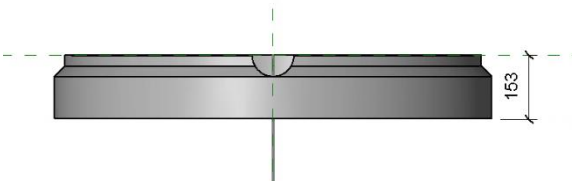
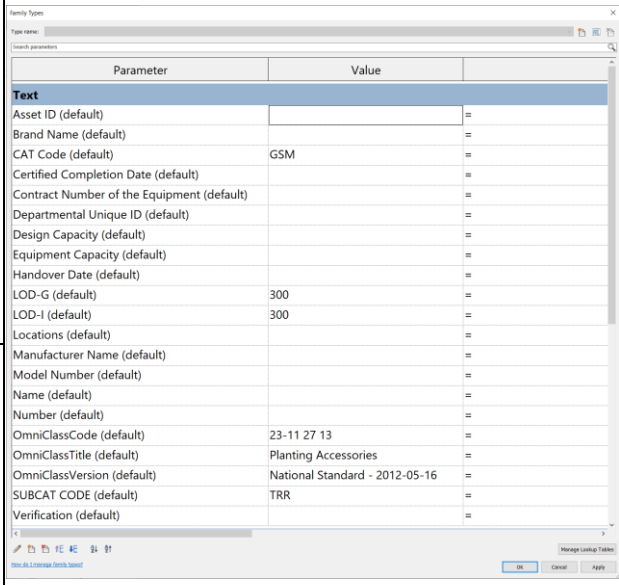
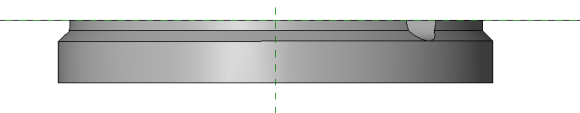


# BIM OBJECT SHEET

<b>QR Code for FM</b>	SOFTWARE VERSION <b>REVIT 2020</b>	<b>REFERENCE NUMBER</b>  <b>CEDD-OS-0018</b>
	DATE <b>08/2025</b>	
	REVISION <b>00</b>	

## INPUT



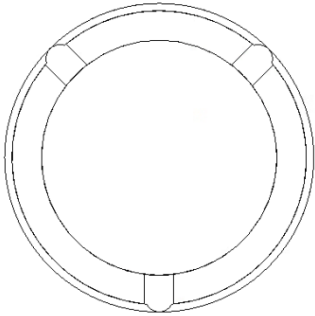

BIM OBJECT NAME <b>GSM-TRR-CGE-TreeRing-__</b>		BIM OBJECT CATEGORY <b>Site</b>	LOD <b>300</b>	<b>3D GEOMETRY</b>
 <p><b>PLAN</b></p>		 <p><b>3D</b></p>		
 <p><b>FRONT ELEVATION</b></p>		 <p><b>PROPERTY / PARAMETER</b></p>		
 <p><b>SIDE / SECTION ELEVATION</b></p>				

2D SYMBOL NAME <b>XXX</b>	<b>2D SYMBOL</b>	2D TAG / LABEL / ANNOTATION NAME <b>XXX</b>	<b>2D TAG / LABEL / ANNOTATION</b>
N.A.		N.A.	

**REMARKS**

**PURPOSE/VALUE-DRIVEN BIM OBJECT DELIVERABLES**

**OUTPUT**

SHEET VIEW: PLAN	SHEET VIEW: ELEVATION																									
		PRESENTATION DRAWING																								
N.A.	N.A.	STATUTORY / AUTHORITIES SUBMISSION DRAWING																								
		TENDER / CONSTRUCTION DRAWING																								
<table border="1" style="width: 100%; border-collapse: collapse;"> <thead> <tr> <th colspan="6" style="text-align: center;">&lt;Site Schedule&gt;</th> </tr> <tr> <th style="width: 16.6%;">A</th> <th style="width: 16.6%;">B</th> <th style="width: 16.6%;">C</th> <th style="width: 16.6%;">D</th> <th style="width: 16.6%;">E</th> <th style="width: 16.6%;">F</th> </tr> <tr> <th>Family</th> <th>Type</th> <th>Mark</th> <th>Tree Ring Inner dia.</th> <th>Tree Ring Outer dia.</th> <th>Slope Profile Thickness</th> </tr> </thead> <tbody> <tr> <td>GSM-TRR-CGE-TreeRing_--</td> <td>GSM-TRR-CGE-TreeRing_--</td> <td></td> <td style="text-align: center;">800</td> <td style="text-align: center;">1050</td> <td style="text-align: center;">100</td> </tr> </tbody> </table>		<Site Schedule>						A	B	C	D	E	F	Family	Type	Mark	Tree Ring Inner dia.	Tree Ring Outer dia.	Slope Profile Thickness	GSM-TRR-CGE-TreeRing_--	GSM-TRR-CGE-TreeRing_--		800	1050	100	SCHEDULE IN DRAWING
<Site Schedule>																										
A	B	C	D	E	F																					
Family	Type	Mark	Tree Ring Inner dia.	Tree Ring Outer dia.	Slope Profile Thickness																					
GSM-TRR-CGE-TreeRing_--	GSM-TRR-CGE-TreeRing_--		800	1050	100																					