

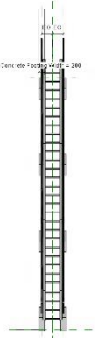
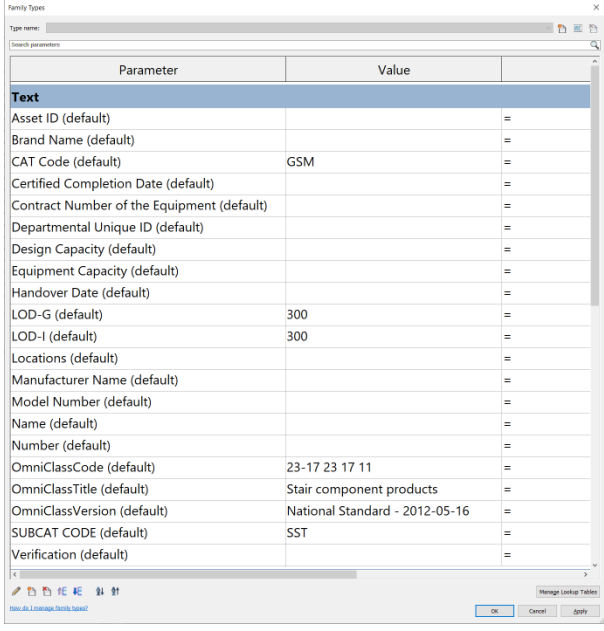
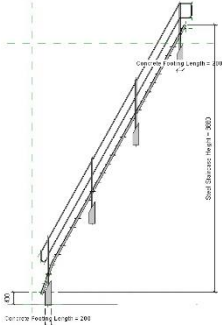


BIM OBJECT SHEET

| | | |
|-----------------------|---------------------------------------|--|
| QR Code for FM | SOFTWARE VERSION REVIT 2020 | REFERENCE NUMBER CEDD-OS-0017 |
| | DATE 08/2025 | |
| | REVISION 00 | |

INPUT


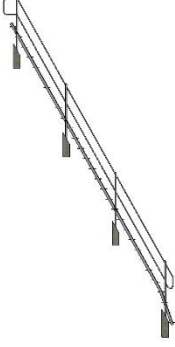
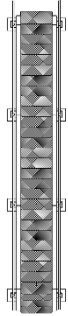
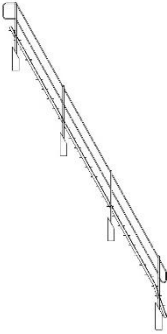
| | | | | |
|---|--|---|-------------------|--------------------|
| BIM OBJECT NAME GSM-SST-CGE-SteelStair-__ | | BIM OBJECT CATEGORY Site | LOD 300 | 3D GEOMETRY |
|  | |  | | |
|  | |  | | |
|  | | PROPERTY / PARAMETER | | |

| | | | |
|------------------------------|------------------|--|------------------------------------|
| 2D SYMBOL NAME XXX | 2D SYMBOL | 2D TAG / LABEL / ANNOTATION NAME XXX | 2D TAG / LABEL / ANNOTATION |
| N.A. | | N.A. | |

REMARKS

PURPOSE/VALUE-DRIVEN BIM OBJECT DELIVERABLES

OUTPUT

| SHEET VIEW: PLAN | SHEET VIEW: ELEVATION | | | | | | | | | | | | | | | | | |
|---|--|---|----------------------------------|--|--|---|---|---|---|--------|------|------|----------------------------------|---------------------------|---------------------------|--|------------|---------------------|
|  |  | PRESENTATION DRAWING | | | | | | | | | | | | | | | | |
| N.A. | N.A. | STATUTORY / AUTHORITIES SUBMISSION DRAWING | | | | | | | | | | | | | | | | |
|  |  | TENDER / CONSTRUCTION DRAWING | | | | | | | | | | | | | | | | |
| <table border="1" style="margin-left: auto; margin-right: auto;"> <thead> <tr> <th colspan="4" style="text-align: center;"><Site Schedule></th> </tr> <tr> <th style="width: 25%;">A</th> <th style="width: 25%;">B</th> <th style="width: 25%;">C</th> <th style="width: 25%;">D</th> </tr> <tr> <th style="text-align: center;">Family</th> <th style="text-align: center;">Type</th> <th style="text-align: center;">Mark</th> <th style="text-align: center;">Steel Staircase Railing Material</th> </tr> </thead> <tbody> <tr> <td style="text-align: center;">GSM-SST-CGE-SteelStair-__</td> <td style="text-align: center;">GSM-SST-CGE-SteelStair-__</td> <td style="text-align: center;"></td> <td style="text-align: center;">Mild Steel</td> </tr> </tbody> </table> | | <Site Schedule> | | | | A | B | C | D | Family | Type | Mark | Steel Staircase Railing Material | GSM-SST-CGE-SteelStair-__ | GSM-SST-CGE-SteelStair-__ | | Mild Steel | SCHEDULE IN DRAWING |
| <Site Schedule> | | | | | | | | | | | | | | | | | | |
| A | B | C | D | | | | | | | | | | | | | | | |
| Family | Type | Mark | Steel Staircase Railing Material | | | | | | | | | | | | | | | |
| GSM-SST-CGE-SteelStair-__ | GSM-SST-CGE-SteelStair-__ | | Mild Steel | | | | | | | | | | | | | | | |