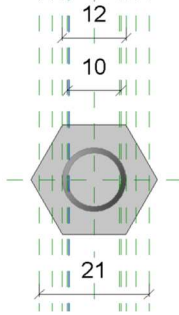

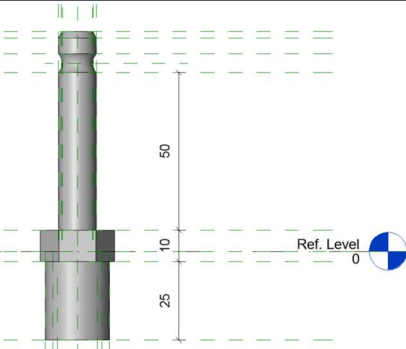
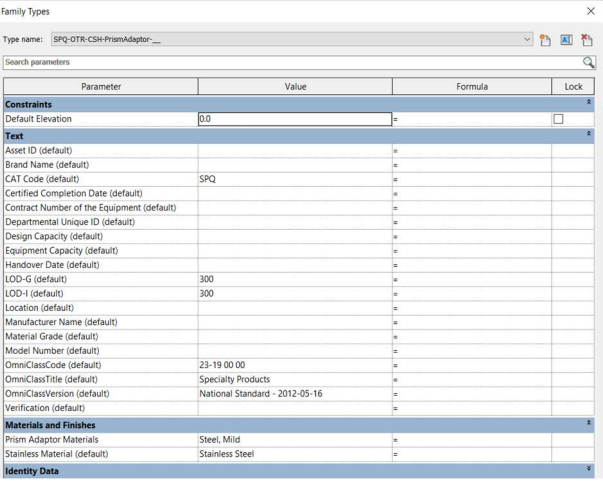
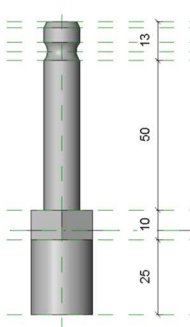


BIM OBJECT SHEET

QR Code for FM	SOFTWARE VERSION REVIT 2020	REFERENCE NUMBER CEDD-OS-0045
	DATE 12/2022	
	REVISION 00	

INPUT



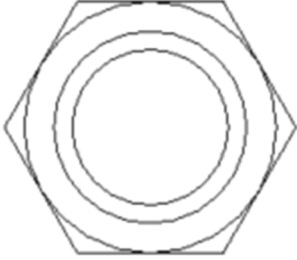

BIM OBJECT NAME SPQ-OTR-CSH-PrismAdaptor-__		BIM OBJECT CATEGORY Specialty Equipment	LOD 300	3D GEOMETRY
 <p>PLAN</p>		 <p>3D</p>		
 <p>FRONT ELEVATION</p>		 <p>PROPERTY / PARAMETER</p>		
 <p>SIDE / SECTION ELEVATION</p>				

2D SYMBOL NAME XXX	2D SYMBOL	2D TAG / LABEL / ANNOTATION NAME XXX	2D TAG / LABEL / ANNOTATION
N.A.		N.A.	

REMARKS

PURPOSE/ VALUE DRIVEN BIM OBJECT DELIVERABLES

OUTPUT

SHEET VIEW: PLAN	SHEET VIEW: ELEVATION													
		PRESENTATION DRAWING												
<p style="text-align: center;">N.A.</p>	<p style="text-align: center;">N.A.</p>	STATUTORY / AUTHORITIES SUBMISSION DRAWING												
		TENDER / CONSTRUCTION DRAWING												
<table border="1" style="width: 100%; border-collapse: collapse;"> <thead> <tr> <th colspan="4" style="text-align: center;">Specialty Equipment Schedule</th> </tr> <tr> <th style="width: 33%;">Family</th> <th style="width: 33%;">Type</th> <th style="width: 10%;">Mark</th> <th style="width: 24%;">Prism Adaptor Materials</th> </tr> </thead> <tbody> <tr> <td>SPQ-OTR-CSH-PrismAdaptor-__</td> <td>SPQ-OTR-CSH-PrismAdaptor-__</td> <td></td> <td>Steel, Mild</td> </tr> </tbody> </table>		Specialty Equipment Schedule				Family	Type	Mark	Prism Adaptor Materials	SPQ-OTR-CSH-PrismAdaptor-__	SPQ-OTR-CSH-PrismAdaptor-__		Steel, Mild	SCHEDULE IN DRAWING
Specialty Equipment Schedule														
Family	Type	Mark	Prism Adaptor Materials											
SPQ-OTR-CSH-PrismAdaptor-__	SPQ-OTR-CSH-PrismAdaptor-__		Steel, Mild											