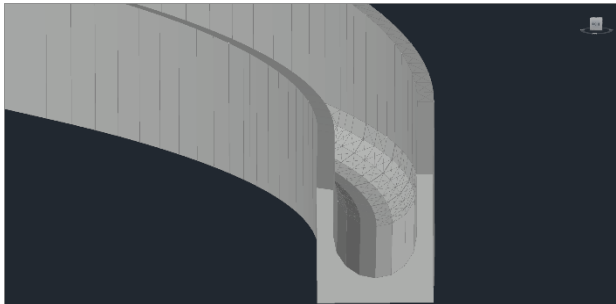
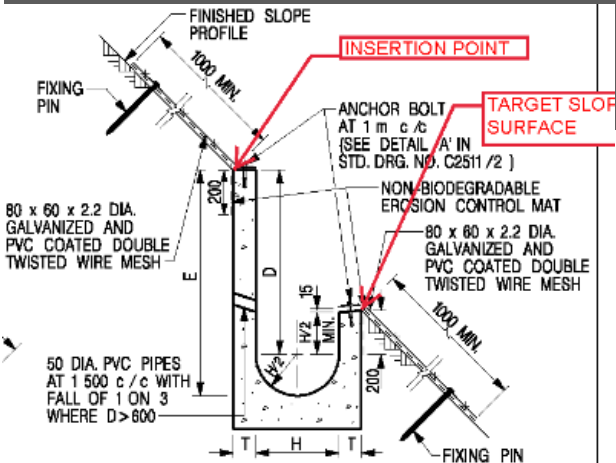


# BIM OBJECT SHEET

<b>QR Code for FM</b>	SOFTWARE VERSION <b>C3D &amp; SAC 2017</b>	<b>REFERENCE NUMBER</b>  <b>CEDD-OS-0038</b>
	DATE <b>06/2019</b>	
	REVISION <b>00</b>	

## INPUT

BIM OBJECT NAME <b>RUC-BM1-CSH-___-___</b>	BIM OBJECT CATEGORY <b>Generic Model</b>	LOD <b>300</b>	3D GEOMETRY												
N.A.															
<b>PLAN</b>	<b>3D (Solid of Corridor in C3D)</b>														
N.A.	<table border="1" style="width: 100%; border-collapse: collapse;"> <thead> <tr> <th colspan="2" style="text-align: left;">Parameters</th> </tr> </thead> <tbody> <tr> <td>Side</td> <td>Left</td> </tr> <tr> <td>Type of Uchannel</td> <td>NOT ON Be...</td> </tr> <tr> <td>Nominal Size H of UC</td> <td>0.500m</td> </tr> <tr> <td>Type of Berm</td> <td>Berm ONLY</td> </tr> <tr> <td>Value E of UC</td> <td>0.800m</td> </tr> </tbody> </table>			Parameters		Side	Left	Type of Uchannel	NOT ON Be...	Nominal Size H of UC	0.500m	Type of Berm	Berm ONLY	Value E of UC	0.800m
Parameters															
Side	Left														
Type of Uchannel	NOT ON Be...														
Nominal Size H of UC	0.500m														
Type of Berm	Berm ONLY														
Value E of UC	0.800m														
<b>FRONT ELEVATION</b>															
<b>SIDE / SECTION ELEVATION (Layout Mode in SAC)</b>	<b>PROPERTY / PARAMETER (Properties Palettes in C3D)</b>														

2D SYMBOL NAME <b>XXX</b>	2D SYMBOL	2D TAG / LABEL / ANNOTATION NAME <b>XXX</b>	2D TAG / LABEL / ANNOTATION
N.A.		N.A.	

<b>REMARKS</b>	<ul style="list-style-type: none"> <li>Side "Right" was configured as Default Settings</li> </ul>
----------------	---

## PURPOSE/ VALUE DRIVEN BIM OBJECT DELIVERABLES

### OUTPUT

SHEET VIEW: PLAN	SHEET VIEW: ELEVATION	
N.A.	N.A.	PRESENTATION DRAWING
N.A.	N.A.	STATUTORY / AUTHORITIES SUBMISSION DRAWING
N.A.	N.A.	TENDER / CONSTRUCTION DRAWING
N.A.		SCHEDULE IN DRAWING