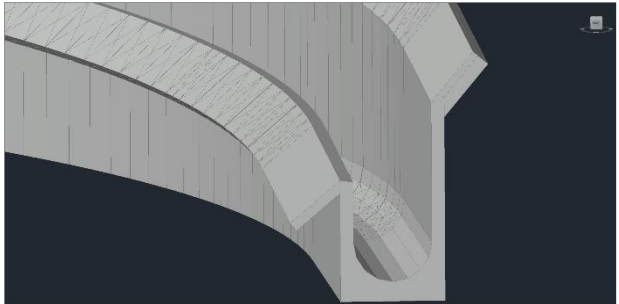
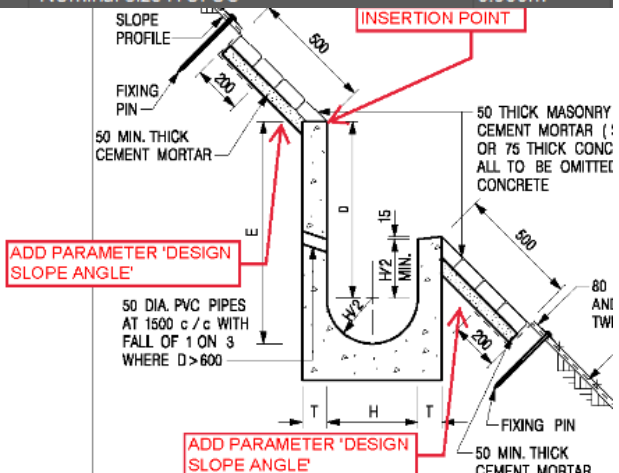
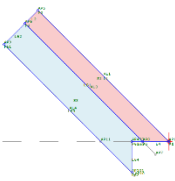
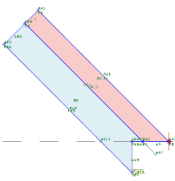


BIM OBJECT SHEET

QR Code for FM	SOFTWARE VERSION C3D & SAC 2017	REFERENCE NUMBER CEDD-OS-0037
	DATE 06/2019	
	REVISION 00	

INPUT

BIM OBJECT NAME RUC-AMA-CSH-___-___	BIM OBJECT CATEGORY Generic Model	LOD 300	3D GEOMETRY																
N.A.																			
N.A.	<table border="1" style="width: 100%; border-collapse: collapse;"> <thead> <tr> <th colspan="2" style="text-align: left;">Parameters</th> </tr> </thead> <tbody> <tr> <td>Side</td> <td>Left</td> </tr> <tr> <td>Thickness of Cement Mortar (Bottom)</td> <td>0.100m</td> </tr> <tr> <td>Slope Angle (Upslope)</td> <td>35</td> </tr> <tr> <td>Slope Angle (Downslope)</td> <td>40</td> </tr> <tr> <td>Direction of Placement</td> <td>Upslope</td> </tr> <tr> <td>Type of Slope Facing</td> <td>Masonry Fa...</td> </tr> <tr> <td>Nominal Size H of UC</td> <td>0.500m</td> </tr> </tbody> </table>			Parameters		Side	Left	Thickness of Cement Mortar (Bottom)	0.100m	Slope Angle (Upslope)	35	Slope Angle (Downslope)	40	Direction of Placement	Upslope	Type of Slope Facing	Masonry Fa...	Nominal Size H of UC	0.500m
Parameters																			
Side	Left																		
Thickness of Cement Mortar (Bottom)	0.100m																		
Slope Angle (Upslope)	35																		
Slope Angle (Downslope)	40																		
Direction of Placement	Upslope																		
Type of Slope Facing	Masonry Fa...																		
Nominal Size H of UC	0.500m																		
N.A.																			
PLAN	3D (Solid of Corridor in C3D)																		
FRONT ELEVATION	PROPERTY / PARAMETER (Properties Palettes in C3D)																		
																			
SIDE / SECTION ELEVATION (Layout Mode in SAC)	PROPERTY / PARAMETER (Properties Palettes in C3D)																		

2D SYMBOL NAME XXX	2D SYMBOL	2D TAG / LABEL / ANNOTATION NAME XXX	2D TAG / LABEL / ANNOTATION
N.A.		N.A.	

REMARKS	<ul style="list-style-type: none"> Side "Right" was configured as Default Settings This Subassembly should be used in conjunction with RUC-AUC-CSH
----------------	--

PURPOSE/ VALUE DRIVEN BIM OBJECT DELIVERABLES

OUTPUT

SHEET VIEW: PLAN	SHEET VIEW: ELEVATION	
N.A.	N.A.	PRESENTATION DRAWING
N.A.	N.A.	STATUTORY / AUTHORITIES SUBMISSION DRAWING
N.A.	N.A.	TENDER / CONSTRUCTION DRAWING
N.A.		SCHEDULE IN DRAWING