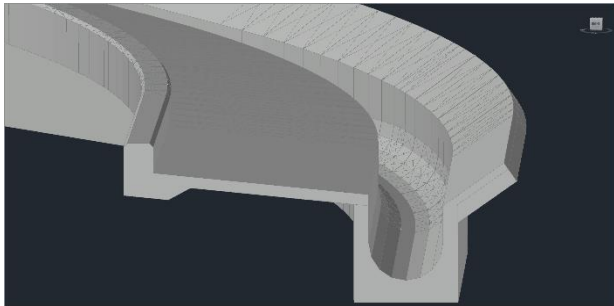
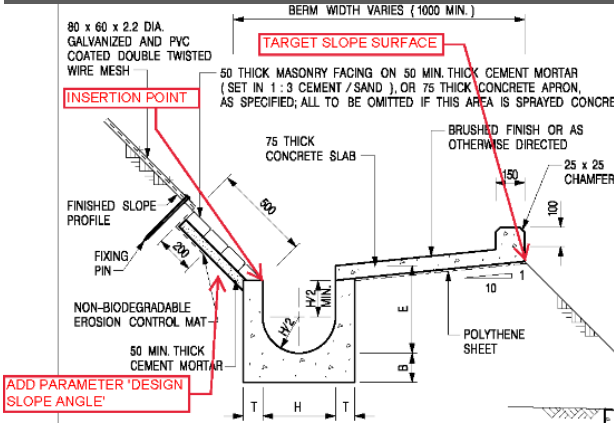


# BIM OBJECT SHEET

<b>QR Code for FM</b>	SOFTWARE VERSION <b>C3D &amp; SAC 2017</b>	<b>REFERENCE NUMBER</b>  <b>CEDD-OS-0036</b>
	DATE <b>06/2019</b>	
	REVISION <b>00</b>	

## INPUT

BIM OBJECT NAME <b>RUC-AUC-CSH-_-_-</b>	BIM OBJECT CATEGORY <b>Generic Model</b>	LOD <b>300</b>	3D GEOMETRY												
N.A.															
N.A.	<b>3D (Solid of Corridor in C3D)</b> Parameters <table border="1" style="width: 100%; border-collapse: collapse;"> <tr><td>Side</td><td>Left</td></tr> <tr><td>Type of Channel</td><td>ON Berm UC</td></tr> <tr><td>Slope Angle (Downslope)</td><td>40</td></tr> <tr><td>Nominal Size H of UC</td><td>0.500m</td></tr> <tr><td>Value E of UC</td><td>0.800m</td></tr> <tr><td>Type of Concrete Slab</td><td>Berm with..</td></tr> </table>			Side	Left	Type of Channel	ON Berm UC	Slope Angle (Downslope)	40	Nominal Size H of UC	0.500m	Value E of UC	0.800m	Type of Concrete Slab	Berm with..
Side	Left														
Type of Channel	ON Berm UC														
Slope Angle (Downslope)	40														
Nominal Size H of UC	0.500m														
Value E of UC	0.800m														
Type of Concrete Slab	Berm with..														
N.A.															
N.A.	<b>PROPERTY / PARAMETER (Properties Palettes in C3D)</b>														
N.A.	<b>3D GEOMETRY</b>														

2D SYMBOL NAME <b>xxx</b>	2D SYMBOL	2D TAG / LABEL / ANNOTATION NAME <b>xxx</b>	2D TAG / LABEL / ANNOTATION
N.A.		N.A.	

<b>REMARKS</b>	<ul style="list-style-type: none"> <li>Side "Right" was configured as Default Settings</li> <li>This Subassembly should be used in conjunction with RUC-AMA-CSH</li> </ul>
----------------	--

**PURPOSE/ VALUE DRIVEN BIM OBJECT DELIVERABLES**

**OUTPUT**

SHEET VIEW: PLAN	SHEET VIEW: ELEVATION	
N.A.	N.A.	PRESENTATION DRAWING
N.A.	N.A.	STATUTORY / AUTHORITIES SUBMISSION DRAWING
N.A.	N.A.	TENDER / CONSTRUCTION DRAWING
N.A.		SCHEDULE IN DRAWING