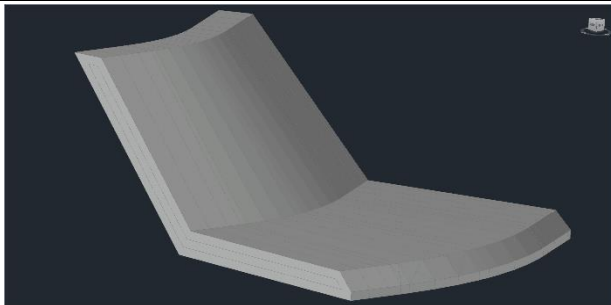
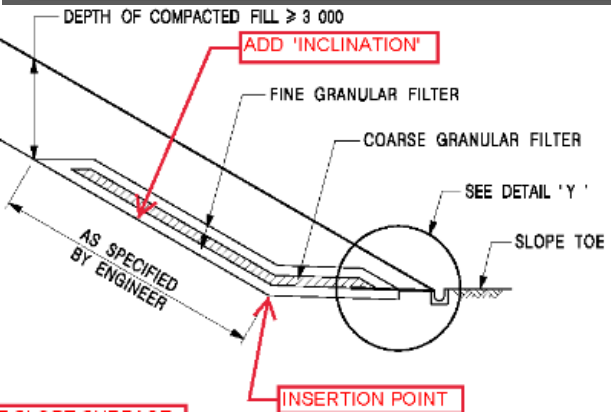
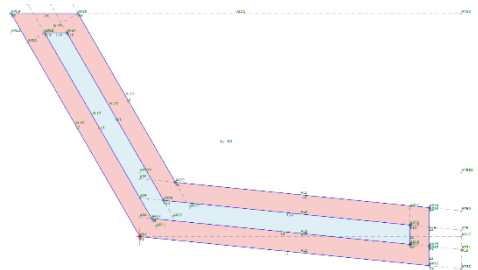




BIM OBJECT SHEET

QR Code for FM	SOFTWARE VERSION C3D & SAC 2017	REFERENCE NUMBER CEDD-OS-0027
	DATE 06/2019	
	REVISION 00	

INPUT

BIM OBJECT NAME FBT-GRF-CSH-___-___	BIM OBJECT CATEGORY Generic Model	LOD 300	3D GEOMETRY														
N.A.																	
N.A.	<table border="1" style="width: 100%; border-collapse: collapse;"> <thead> <tr> <th colspan="2" style="text-align: left;">Parameters</th> </tr> </thead> <tbody> <tr> <td>Side</td> <td>Right</td> </tr> <tr> <td>Gradient of UPVC Pipe</td> <td>20.00:1</td> </tr> <tr> <td>Inclination of Granular Filter (in Deg.)</td> <td>50</td> </tr> <tr> <td>Length of Granular Filter</td> <td>8.000m</td> </tr> <tr> <td>Thickness of Granular Filter</td> <td>Dual Layers...</td> </tr> <tr> <td>Inclination by Auto-Detection OR Manual I...</td> <td>Manual Input</td> </tr> </tbody> </table>			Parameters		Side	Right	Gradient of UPVC Pipe	20.00:1	Inclination of Granular Filter (in Deg.)	50	Length of Granular Filter	8.000m	Thickness of Granular Filter	Dual Layers...	Inclination by Auto-Detection OR Manual I...	Manual Input
Parameters																	
Side	Right																
Gradient of UPVC Pipe	20.00:1																
Inclination of Granular Filter (in Deg.)	50																
Length of Granular Filter	8.000m																
Thickness of Granular Filter	Dual Layers...																
Inclination by Auto-Detection OR Manual I...	Manual Input																
N.A.																	
PLAN	3D (Solid of Corridor in C3D)																
FRONT ELEVATION																	
																	
SIDE / SECTION ELEVATION (Layout Mode in SAC)			PROPERTY / PARAMETER (Properties Palettes in C3D)														

2D SYMBOL NAME xxx	2D SYMBOL	2D TAG / LABEL / ANNOTATION NAME xxx	2D TAG / LABEL / ANNOTATION
N.A.		N.A.	

REMARKS	<ul style="list-style-type: none"> Side "Right" was configured as Default Settings
----------------	---

PURPOSE/ VALUE DRIVEN BIM OBJECT DELIVERABLES

OUTPUT

SHEET VIEW: PLAN	SHEET VIEW: ELEVATION	
N.A.	N.A.	PRESENTATION DRAWING
N.A.	N.A.	STATUTORY / AUTHORITIES SUBMISSION DRAWING
N.A.	N.A.	TENDER / CONSTRUCTION DRAWING
N.A.		SCHEDULE IN DRAWING