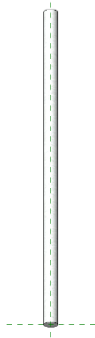
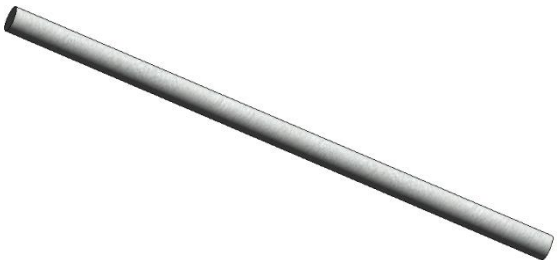
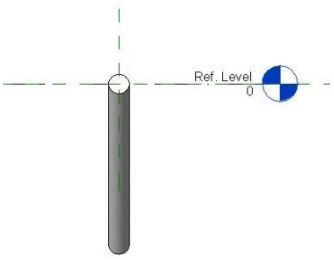
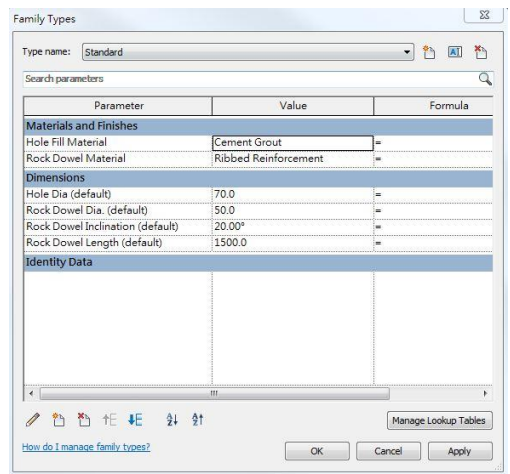
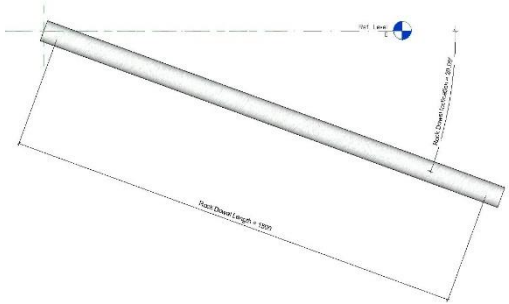
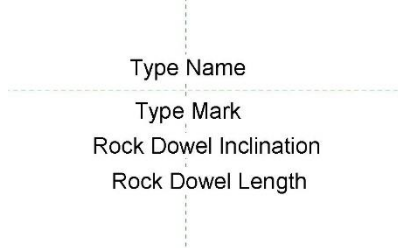


# BIM OBJECT SHEET

<b>QR Code for FM</b>	SOFTWARE VERSION <b>REVIT 2017</b>	<b>REFERENCE NUMBER</b>  <b>CEDD-OS-0025</b>
	DATE <b>06/2019</b>	
	REVISION <b>00</b>	

## INPUT


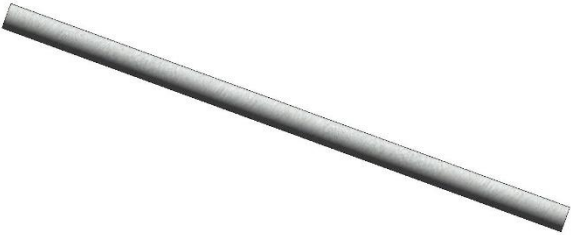

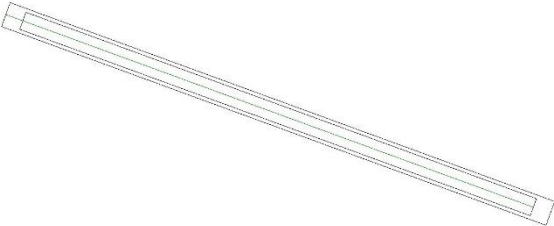
BIM OBJECT NAME <b>SON-RDO-CSH-__-__</b>	BIM OBJECT CATEGORY <b>Generic Model</b>	LOD <b>300</b>	<b>3D GEOMETRY</b>
<b>PLAN</b> 	<b>3D</b> 		
<b>FRONT ELEVATION</b> 	<b>PROPERTY / PARAMETER</b> 		
<b>SIDE / SECTION ELEVATION</b> 			

2D SYMBOL NAME <b>xxx</b>		2D TAG / LABEL / ANNOTATION NAME <b>SON-RDO-CSH-__-__-TAG</b>	<b>2D TAG / LABEL / ANNOTATION</b>
<b>N.A.</b>	<b>2D SYMBOL</b>		

REMARKS

PURPOSE/ VALUE DRIVEN BIM OBJECT DELIVERABLES

OUTPUT

SHEET VIEW: PLAN	SHEET VIEW: ELEVATION																			
		PRESENTATION DRAWING																		
N.A.	N.A.	STATUTORY / AUTHORITIES SUBMISSION DRAWING																		
		TENDER / CONSTRUCTION DRAWING																		
<table border="1" data-bbox="197 1839 1337 1989"> <thead> <tr> <th colspan="6" data-bbox="197 1839 1337 1917">&lt;Generic Model Schedule&gt;</th> </tr> <tr> <th data-bbox="197 1917 368 1951">A</th> <th data-bbox="368 1917 542 1951">B</th> <th data-bbox="542 1917 713 1951">C</th> <th data-bbox="713 1917 887 1951">D</th> <th data-bbox="887 1917 1061 1951">E</th> <th data-bbox="1061 1917 1337 1951">F</th> </tr> </thead> <tbody> <tr> <td data-bbox="197 1951 368 1989">Family</td> <td data-bbox="368 1951 542 1989">Type</td> <td data-bbox="542 1951 713 1989">Mark</td> <td data-bbox="713 1951 887 1989">Rock Dowel Dia.</td> <td data-bbox="887 1951 1061 1989">Rock Dowel Length</td> <td data-bbox="1061 1951 1337 1989">Rock Dowel Inclination</td> </tr> </tbody> </table>		<Generic Model Schedule>						A	B	C	D	E	F	Family	Type	Mark	Rock Dowel Dia.	Rock Dowel Length	Rock Dowel Inclination	SCHEDULE IN DRAWING
<Generic Model Schedule>																				
A	B	C	D	E	F															
Family	Type	Mark	Rock Dowel Dia.	Rock Dowel Length	Rock Dowel Inclination															