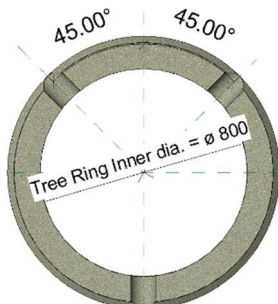


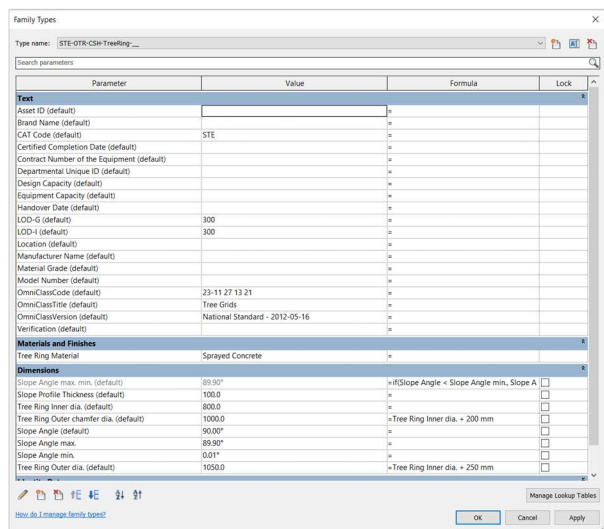



BIM OBJECT SHEET

QR Code for FM	SOFTWARE VERSION REVIT 2020	REFERENCE NUMBER CEDD-OS-0018
	DATE 12/2022	
	REVISION 00	

INPUT



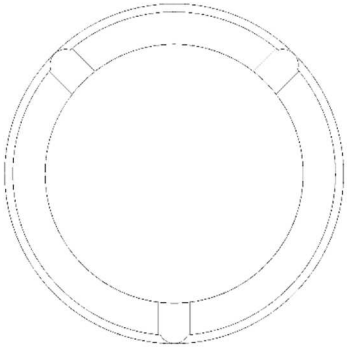

BIM OBJECT NAME STE-OTR-CSH-TreeRing_		BIM OBJECT CATEGORY Site	LOD 300
 <p style="text-align: center;">PLAN</p>		 <p style="text-align: center;">3D</p>	
 <p style="text-align: center;">FRONT ELEVATION</p>		 <p style="text-align: center;">PROPERTY / PARAMETER</p>	
 <p style="text-align: center;">SIDE / SECTION ELEVATION</p>		3D GEOMETRY	

2D SYMBOL NAME XXX	2D TAG / LABEL / ANNOTATION NAME STE-OTR-CSH-TreeRingTag_
N.A.	<p style="font-size: 2em;">Type Name</p> <p style="font-size: 2em;">Type Mark</p> <p style="font-size: 2em;">Tree Ring Inner dia.</p>

REMARKS

PURPOSE/ VALUE DRIVEN BIM OBJECT DELIVERABLES

OUTPUT

SHEET VIEW: PLAN	SHEET VIEW: ELEVATION																			
		PRESENTATION DRAWING																		
N.A.	N.A.	STATUTORY / AUTHORITIES SUBMISSION DRAWING																		
		TENDER / CONSTRUCTION DRAWING																		
<table border="1" style="width: 100%; border-collapse: collapse;"> <thead> <tr> <th colspan="6" style="text-align: center;">Site Schedule</th> </tr> <tr> <th style="width: 15%;">Family</th> <th style="width: 20%;">Type</th> <th style="width: 10%;">Mark</th> <th style="width: 15%;">Tree Ring Inner dia.</th> <th style="width: 15%;">Tree Ring Outer dia.</th> <th style="width: 25%;">Slope Profile Thickness</th> </tr> </thead> <tbody> <tr> <td>STE-OTR-CSH-TreeRing-__</td> <td>STE-OTR-CSH-TreeRing-__</td> <td></td> <td style="text-align: center;">800</td> <td style="text-align: center;">1050</td> <td style="text-align: center;">100</td> </tr> </tbody> </table>		Site Schedule						Family	Type	Mark	Tree Ring Inner dia.	Tree Ring Outer dia.	Slope Profile Thickness	STE-OTR-CSH-TreeRing-__	STE-OTR-CSH-TreeRing-__		800	1050	100	SCHEDULE IN DRAWING
Site Schedule																				
Family	Type	Mark	Tree Ring Inner dia.	Tree Ring Outer dia.	Slope Profile Thickness															
STE-OTR-CSH-TreeRing-__	STE-OTR-CSH-TreeRing-__		800	1050	100															