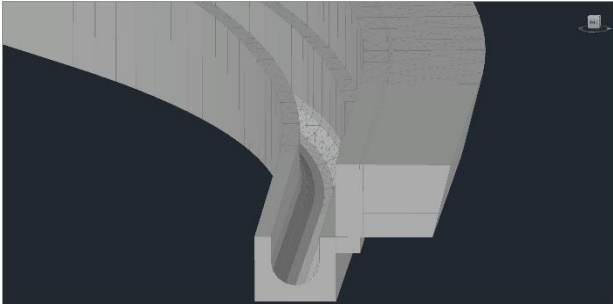
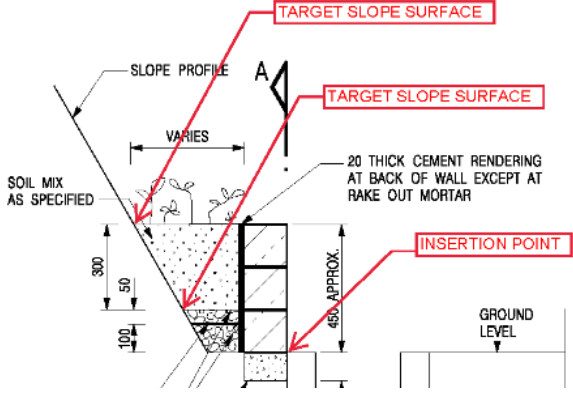
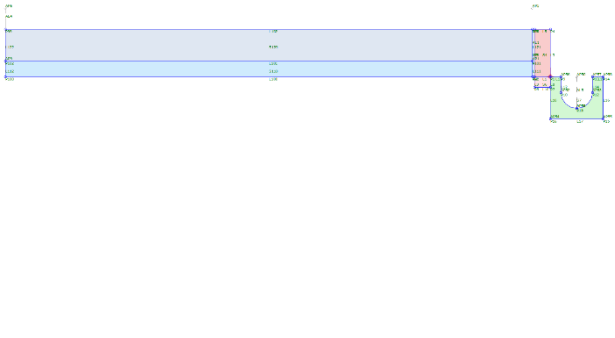




BIM OBJECT SHEET

QR Code for FM	SOFTWARE VERSION C3D & SAC 2017	REFERENCE NUMBER CEDD-OS-0014
	DATE 06/2019	
	REVISION 00	

INPUT

BIM OBJECT NAME TWP-GS_-CSH-_-_-	BIM OBJECT CATEGORY Generic Model	LOD 300	3D GEOMETRY																				
N.A.																							
N.A.	<table border="1" style="width: 100%; border-collapse: collapse;"> <thead> <tr> <th colspan="2" style="text-align: left;">Parameters</th> </tr> </thead> <tbody> <tr><td>Side</td><td>Left</td></tr> <tr><td>Height of Granite Blocks (Total)</td><td>0.450m</td></tr> <tr><td>Value E of UC</td><td>0.300m</td></tr> <tr><td>Value B of UC</td><td>0.100m</td></tr> <tr><td>Value T of UC</td><td>0.100m</td></tr> <tr><td>Nominal Size H of UC</td><td>0.300m</td></tr> <tr><td>Height of Conc. Footing</td><td>0.100m</td></tr> <tr><td>Thickness of Cement Rendering</td><td>0.020m</td></tr> <tr><td>Thickness of Granite Blocks</td><td>0.150m</td></tr> </tbody> </table>			Parameters		Side	Left	Height of Granite Blocks (Total)	0.450m	Value E of UC	0.300m	Value B of UC	0.100m	Value T of UC	0.100m	Nominal Size H of UC	0.300m	Height of Conc. Footing	0.100m	Thickness of Cement Rendering	0.020m	Thickness of Granite Blocks	0.150m
Parameters																							
Side	Left																						
Height of Granite Blocks (Total)	0.450m																						
Value E of UC	0.300m																						
Value B of UC	0.100m																						
Value T of UC	0.100m																						
Nominal Size H of UC	0.300m																						
Height of Conc. Footing	0.100m																						
Thickness of Cement Rendering	0.020m																						
Thickness of Granite Blocks	0.150m																						
N.A.																							
PLAN	3D (Solid of Corridor in C3D)																						
FRONT ELEVATION	PROPERTY / PARAMETER (Properties Palettes in C3D)																						
																							
SIDE / SECTION ELEVATION (Layout Mode in SAC)																							

2D SYMBOL NAME XXX	2D SYMBOL	2D TAG / LABEL / ANNOTATION NAME XXX	2D TAG / LABEL / ANNOTATION
N.A.		N.A.	

REMARKS	<ul style="list-style-type: none"> Side "Right" was configured as Default Settings
----------------	---

PURPOSE/ VALUE DRIVEN BIM OBJECT DELIVERABLES

OUTPUT

SHEET VIEW: PLAN	SHEET VIEW: ELEVATION	
N.A.	N.A.	PRESENTATION DRAWING
N.A.	N.A.	STATUTORY / AUTHORITIES SUBMISSION DRAWING
N.A.	N.A.	TENDER / CONSTRUCTION DRAWING
N.A.		SCHEDULE IN DRAWING