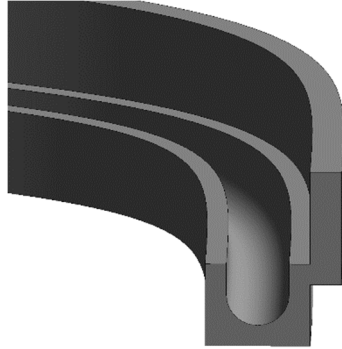
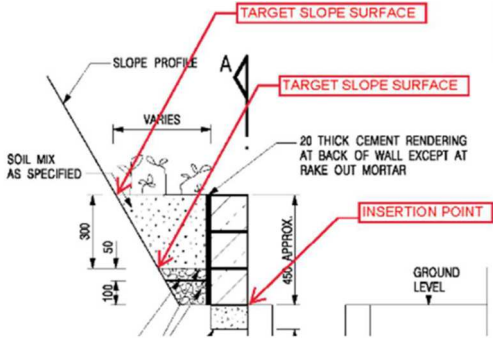
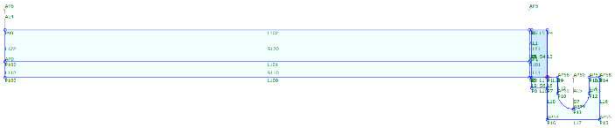


BIM OBJECT SHEET

QR Code for FM	SOFTWARE VERSION C3D & SAC 2020	REFERENCE NUMBER CEDD-OS-0014
	DATE 12/2022	
	REVISION 00	

INPUT

BIM OBJECT NAME LTW-SHS-CSH-GraniteWall-__	BIM OBJECT CATEGORY Corridor	LOD 300	3D GEOMETRY																						
N.A.																									
N.A.	<table border="1" style="background-color: #333; color: white; width: 100%;"> <thead> <tr> <th colspan="2">Parameters</th> </tr> </thead> <tbody> <tr><td>Side</td><td>Right</td></tr> <tr><td>Height of Granite Blocks (Total)</td><td>0.450m</td></tr> <tr><td>Value E of UC</td><td>0.300m</td></tr> <tr><td>Value B of UC</td><td>0.100m</td></tr> <tr><td>Value T of UC</td><td>0.100m</td></tr> <tr><td>Nominal Size H of UC</td><td>0.300m</td></tr> <tr><td>Height of Conc. Footing</td><td>0.100m</td></tr> <tr><td>Thickness of Cement Rendering</td><td>0.020m</td></tr> <tr><td>Thickness of Granite Blocks</td><td>0.150m</td></tr> <tr><td>Creation of UC (if necessary)</td><td>Create UC and Specify Dimensions</td></tr> </tbody> </table>			Parameters		Side	Right	Height of Granite Blocks (Total)	0.450m	Value E of UC	0.300m	Value B of UC	0.100m	Value T of UC	0.100m	Nominal Size H of UC	0.300m	Height of Conc. Footing	0.100m	Thickness of Cement Rendering	0.020m	Thickness of Granite Blocks	0.150m	Creation of UC (if necessary)	Create UC and Specify Dimensions
Parameters																									
Side	Right																								
Height of Granite Blocks (Total)	0.450m																								
Value E of UC	0.300m																								
Value B of UC	0.100m																								
Value T of UC	0.100m																								
Nominal Size H of UC	0.300m																								
Height of Conc. Footing	0.100m																								
Thickness of Cement Rendering	0.020m																								
Thickness of Granite Blocks	0.150m																								
Creation of UC (if necessary)	Create UC and Specify Dimensions																								
N.A.																									
PLAN	3D																								
FRONT ELEVATION	PROPERTY / PARAMETER (Properties Palettes in C3D)																								
N.A.																									
SIDE / SECTION ELEVATION																									

2D SYMBOL NAME XXX		2D TAG / LABEL / ANNOTATION NAME XXX	
N.A.	2D SYMBOL	N.A.	2D TAG / LABEL / ANNOTATION

REMARKS ● Side "Right" was configured as Default Settings

PURPOSE/ VALUE DRIVEN BIM OBJECT DELIVERABLES

OUTPUT

SHEET VIEW: PLAN	SHEET VIEW: ELEVATION	
N.A.	N.A.	PRESENTATION DRAWING
N.A.	N.A.	STATUTORY / AUTHORITIES SUBMISSION DRAWING
N.A.	N.A.	TENDER / CONSTRUCTION DRAWING
N.A.		SCHEDULE IN DRAWING