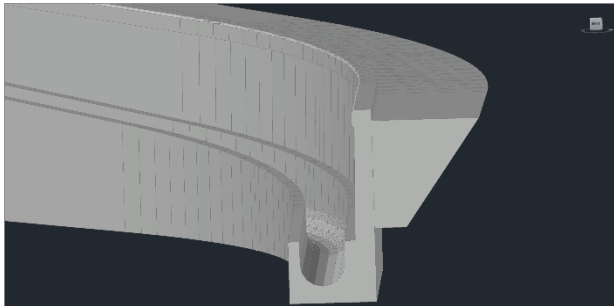
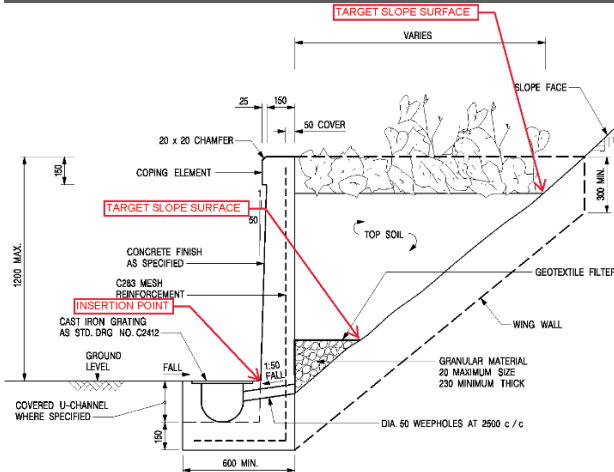
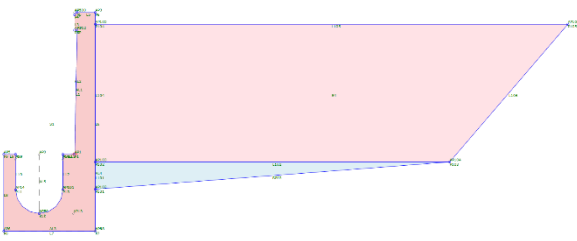



BIM OBJECT SHEET

QR Code for FM	SOFTWARE VERSION C3D & SAC 2017	REFERENCE NUMBER CEDD-OS-0013
	DATE 06/2019	
	REVISION 00	

INPUT

BIM OBJECT NAME TWP-CON-CSH-___-___	BIM OBJECT CATEGORY Generic Model	LOD 300	3D GEOMETRY																
N.A.																			
N.A.	<table border="1" style="width: 100%; border-collapse: collapse;"> <thead> <tr> <th colspan="2" style="text-align: left;">Parameters</th> </tr> </thead> <tbody> <tr> <td>Side</td> <td style="text-align: right;">Right</td> </tr> <tr> <td>Nominal Size H of UC</td> <td style="text-align: right;">0.400m</td> </tr> <tr> <td>Height Difference of PWall Coping and Top...</td> <td style="text-align: right;">0.100m</td> </tr> <tr> <td>Height of Planter Wall</td> <td style="text-align: right;">1.100m</td> </tr> <tr> <td>Thickness of Granular Material</td> <td style="text-align: right;">0.300m</td> </tr> <tr> <td>Value T of UC</td> <td style="text-align: right;">0.100m</td> </tr> <tr> <td>Value E of UC</td> <td style="text-align: right;">0.500m</td> </tr> </tbody> </table>			Parameters		Side	Right	Nominal Size H of UC	0.400m	Height Difference of PWall Coping and Top...	0.100m	Height of Planter Wall	1.100m	Thickness of Granular Material	0.300m	Value T of UC	0.100m	Value E of UC	0.500m
Parameters																			
Side	Right																		
Nominal Size H of UC	0.400m																		
Height Difference of PWall Coping and Top...	0.100m																		
Height of Planter Wall	1.100m																		
Thickness of Granular Material	0.300m																		
Value T of UC	0.100m																		
Value E of UC	0.500m																		
N.A.																			
PLAN	3D (Solid of Corridor in C3D)																		
FRONT ELEVATION	PROPERTY / PARAMETER (Properties Palettes in C3D)																		
																			

2D SYMBOL NAME xxx	2D SYMBOL	2D TAG / LABEL / ANNOTATION NAME xxx	2D TAG / LABEL / ANNOTATION
N.A.		N.A.	

REMARKS	<ul style="list-style-type: none"> Side "Right" was configured as Default Settings
----------------	---

PURPOSE/ VALUE DRIVEN BIM OBJECT DELIVERABLES

OUTPUT

SHEET VIEW: PLAN	SHEET VIEW: ELEVATION	
N.A.	N.A.	PRESENTATION DRAWING
N.A.	N.A.	STATUTORY / AUTHORITIES SUBMISSION DRAWING
N.A.	N.A.	TENDER / CONSTRUCTION DRAWING
N.A.		SCHEDULE IN DRAWING