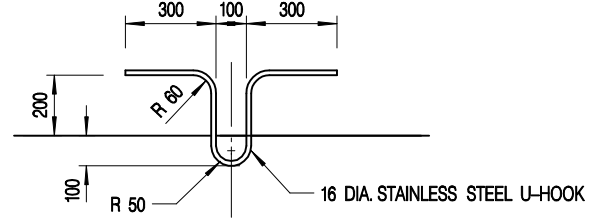


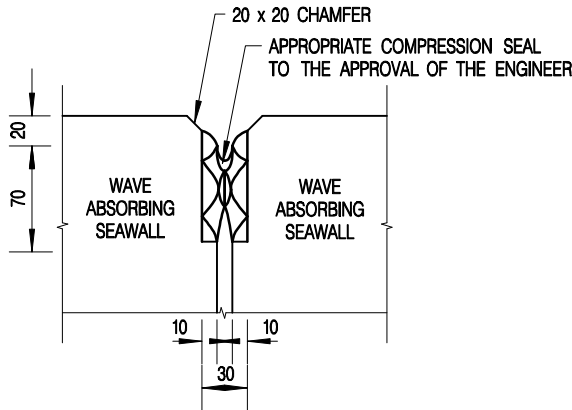
TYPE 1



TYPE 2

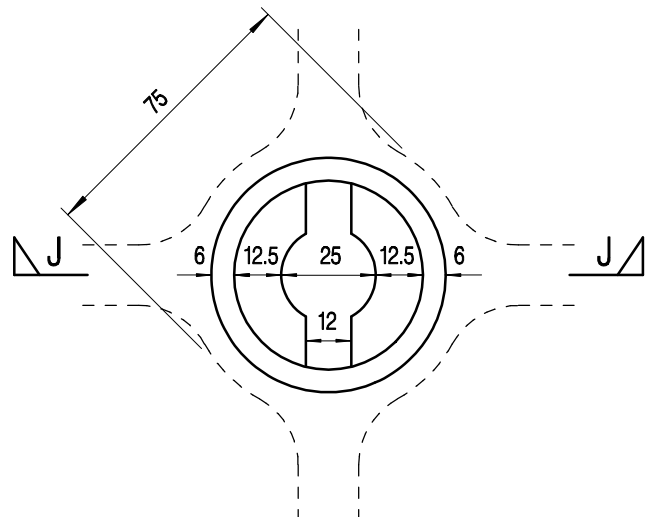
MAINTENANCE HOOKS

SCALE 1:25



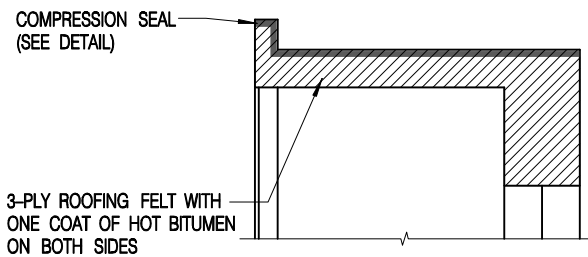
COMPRESSION SEAL JOINT

SCALE 1:5



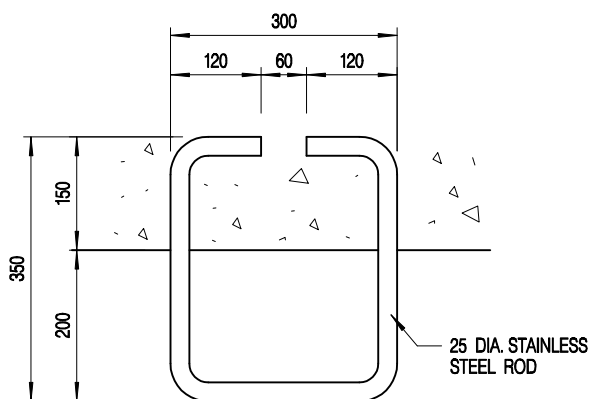
DETAIL 'X'

SCALE 1:2



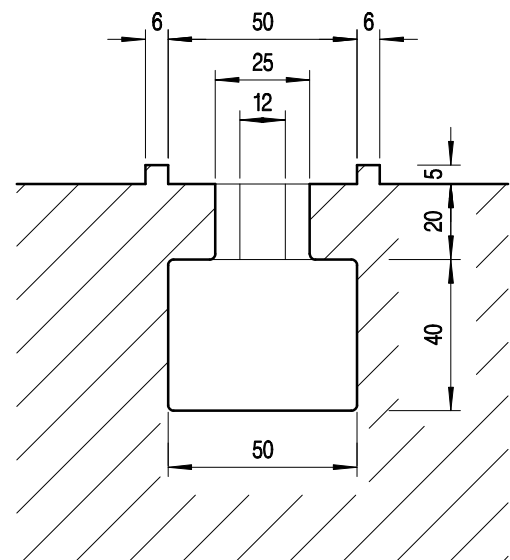
VERTICAL JOINT

SCALE 1:100



STAINLESS STEEL STEP IRON

SCALE 1:10



SECTION J - J

SCALE 1:2

WAVE ABSORBING SEAWALL
(SHEET 7 OF 8)

A	MAINTENANCE HOOKS AMENDED.	Original Signed	03.2015
REF.	REVISION	SIGNATURE	DATE



CIVIL ENGINEERING AND DEVELOPMENT DEPARTMENT

SCALE AS SHOWN

DRAWING NO.

DATE OCTOBER 2004

C3017 / 7A