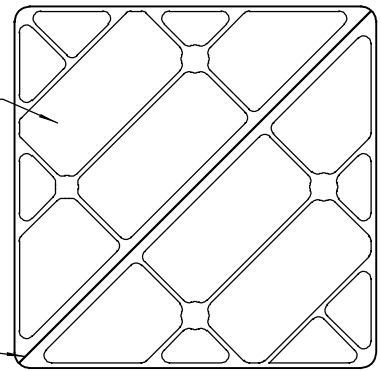


ACCESS MANHOLE SECTION B-B

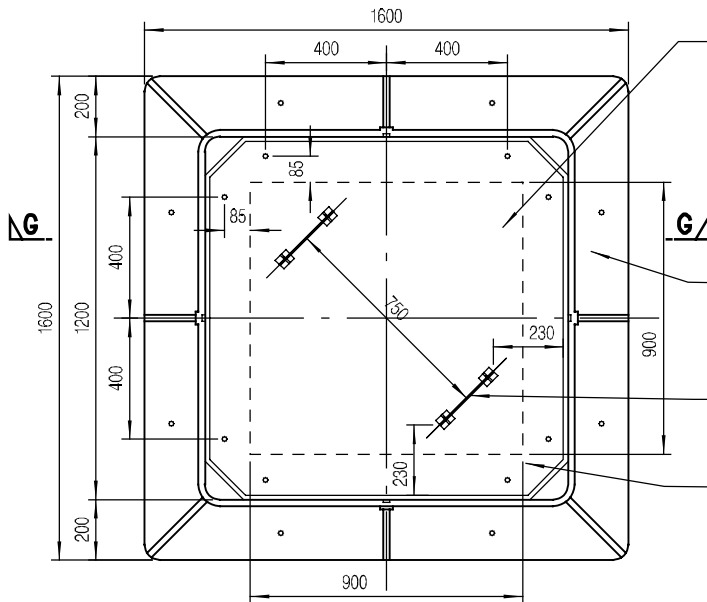
SCALE 1 : 75

BOTTOM OF ACCESS MANHOLE COVER SHOULD HAVE A MINIMUM CLEARANCE OF 50 FROM TOP STEEL COVER PLATE



BOTTOM PLAN OF COVER

SCALE 1 : 25



PLAN

SCALE 1 : 25

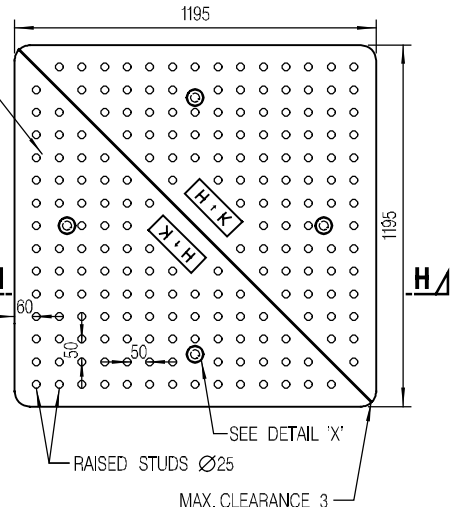
10 TK. GALVANISED STEEL COVER PLATE WITH CORNERS CUT TO FIT ACCESS MANHOLE FRAME

HEAVY DUTY CAST IRON ACCESS MANHOLE COVER

HEAVY DUTY CAST IRON ACCESS MANHOLE COVER & FRAME

Ø 6 GALVANISED STEEL HANDLE (SEE DETAIL)

1600 X 1600 X 15 TK. GALVANISED STEEL BOTTOM PLATE WITH A 900 X 900 OPENING AT CENTRE



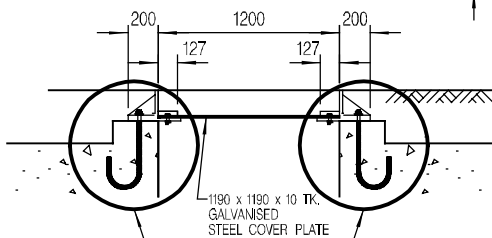
MANHOLE COVER

SCALE 1 : 25



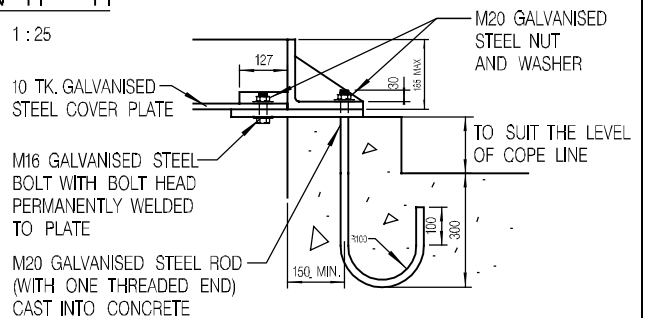
SECTION H - H

SCALE 1 : 25



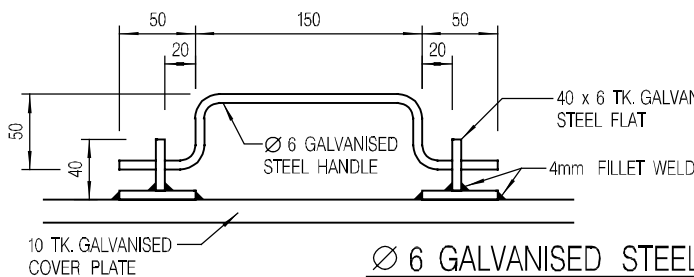
SECTION G - G

SCALE 1 : 50



DETAIL 'Y'

SCALE 1 : 20



Ø 6 GALVANISED STEEL HANDLE

SCALE 1 : 5

WAVE ABSORBING SEAWALL  
( SHEET 6 OF 8 )

-	NEW ISSUE.	Original Signed	20.10.2004
REF.	REVISION	SIGNATURE	DATE



CIVIL ENGINEERING AND DEVELOPMENT DEPARTMENT

SCALE AS SHOWN

DRAWING NO.

DATE OCTOBER 2004

C3017 / 6