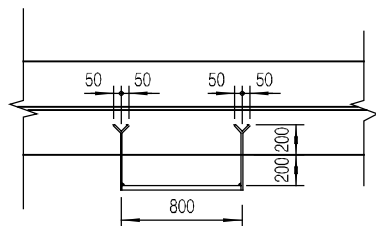
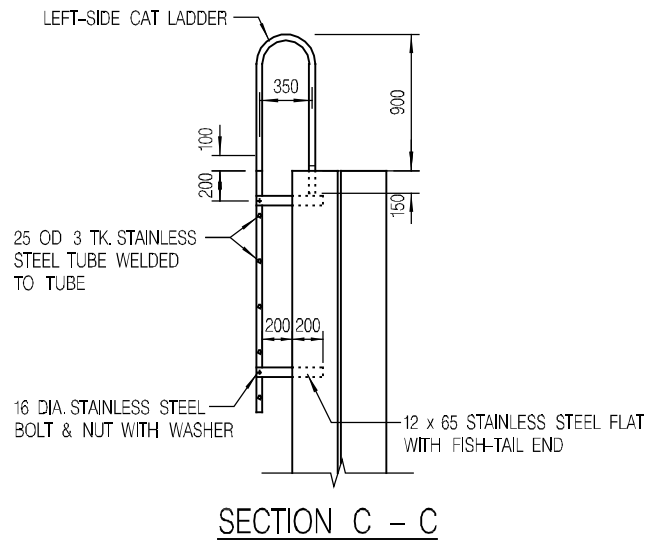


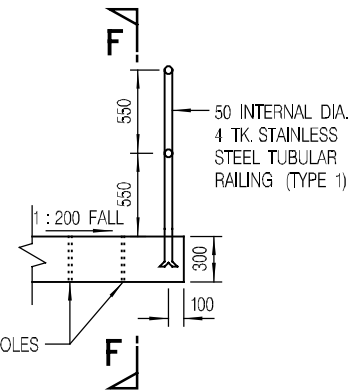
CAT LADDER



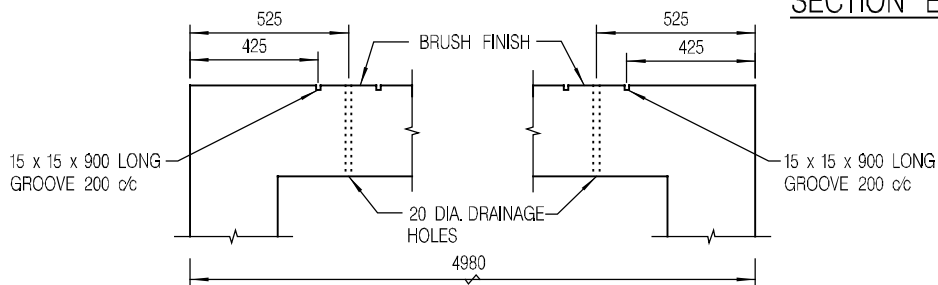
SECTION D - D



SECTION C - C

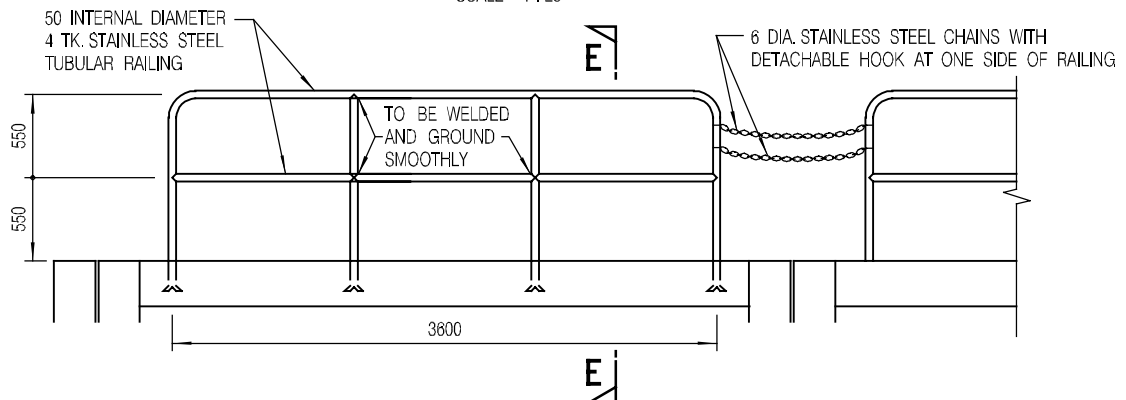


SECTION E - E



SECTION F - F

SCALE 1 : 25



STAINLESS STEEL SAFETY HANDRAIL

-	NEW ISSUE.	Original Signed	20.10.2004
REF.	REVISION	SIGNATURE	DATE

WAVE ABSORBING SEAWALL
(SHEET 5 OF 8)



CIVIL ENGINEERING AND
DEVELOPMENT DEPARTMENT

SCALE 1 : 50 OR AS SHOWN

DRAWING NO.

DATE OCTOBER 2004

C3017 / 5