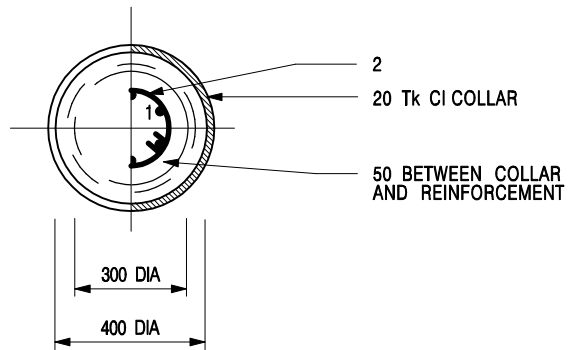


SECTIONAL ELEVATION



HALF SECTIONAL PLAN

NOTES:

- 1 ALL DIMENSIONS ARE IN MILLIMETRES.
- 2 THE EXTERNAL FACE OF CI COLLAR SHALL BE TREATED WITH TWO COATS OF BITUMEN PAINT.
- 3 B DENOTES GRADE 500B HOT-ROLLED RIBBED REINFORCEMENT.
- 4 R DENOTES GRADE 250 HOT-ROLLED PLAIN REINFORCEMENT.

B	NOTE 3 AND NOTE 4 ADDED	Original Signed	12.2014
A	NAME OF DEPARTMENT AMENDED.	Original Signed	09.2004
REF.	REVISION	SIGNATURE	DATE

10 TONNE BOLLARD



CIVIL ENGINEERING AND DEVELOPMENT DEPARTMENT

SCALE 1 : 20

DRAWING NO.

DATE JAN 1991

C3015B