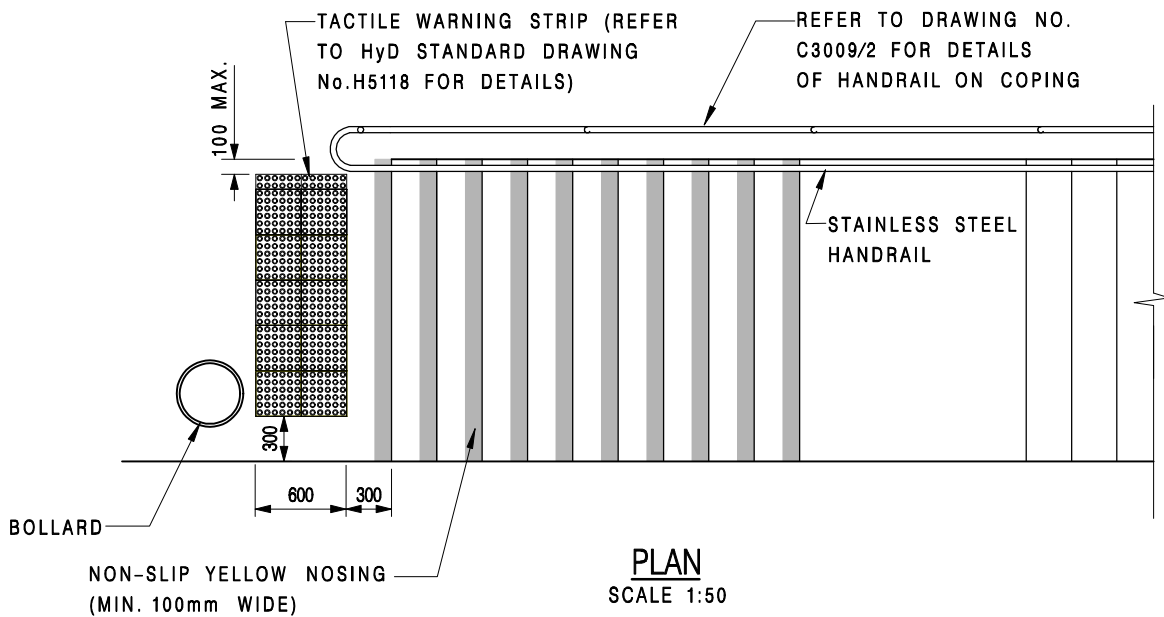
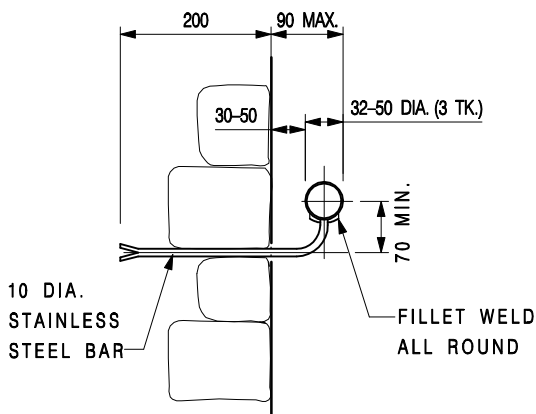


NOTES:  
COLOUR CONTRASTING STEPS TO BE PROVIDED AT UPPER FLIGHT ONLY.



**TYPICAL DETAILS OF BARRIER-FREE FACILITIES AT LANDING**



**TYPICAL FIXING  
HANDRAIL ON SEAWALL**

SCALE 1 : 10

NOTES:

1. ALL DIMENSIONS ARE IN MILLIMETRES.
2. COLOUR OF NON-SLIP YELLOW NOSING SHALL MATCH WITH THAT OF TACTILE WARNING STRIP.
3. SUPPORT OF HANDRAIL SHOULD BE INSTALLED AT APPROXIMATELY 1500C/C.

**GRAVITY SEAWALL  
LANDING**

(SHEET 5 OF 5)

A	DRAWING TITLE AMENDED.	Original Signed	03.2015
REF.	REVISION	SIGNATURE	DATE



**CIVIL ENGINEERING AND  
DEVELOPMENT DEPARTMENT**

**SCALE** AS SHOWN

**DRAWING NO.**

**DATE** MAR 2012

**C3009 / 5A**