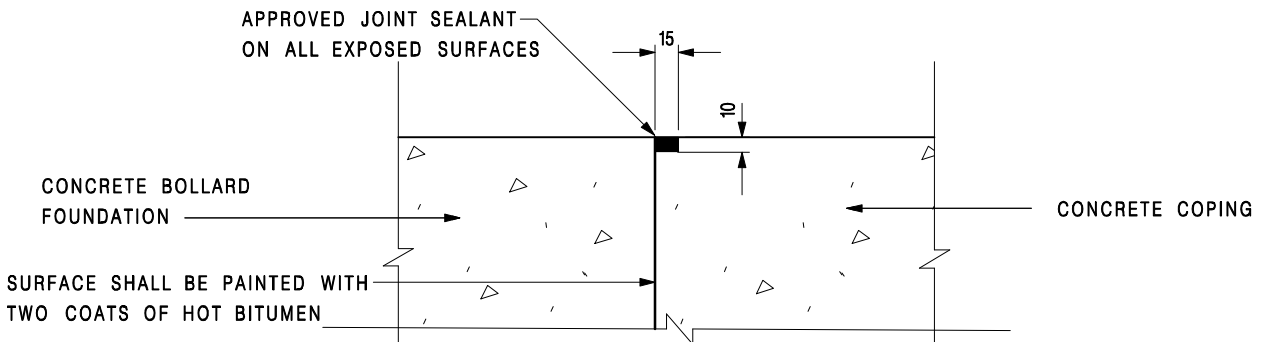


ON SEAWALL

ON COPING

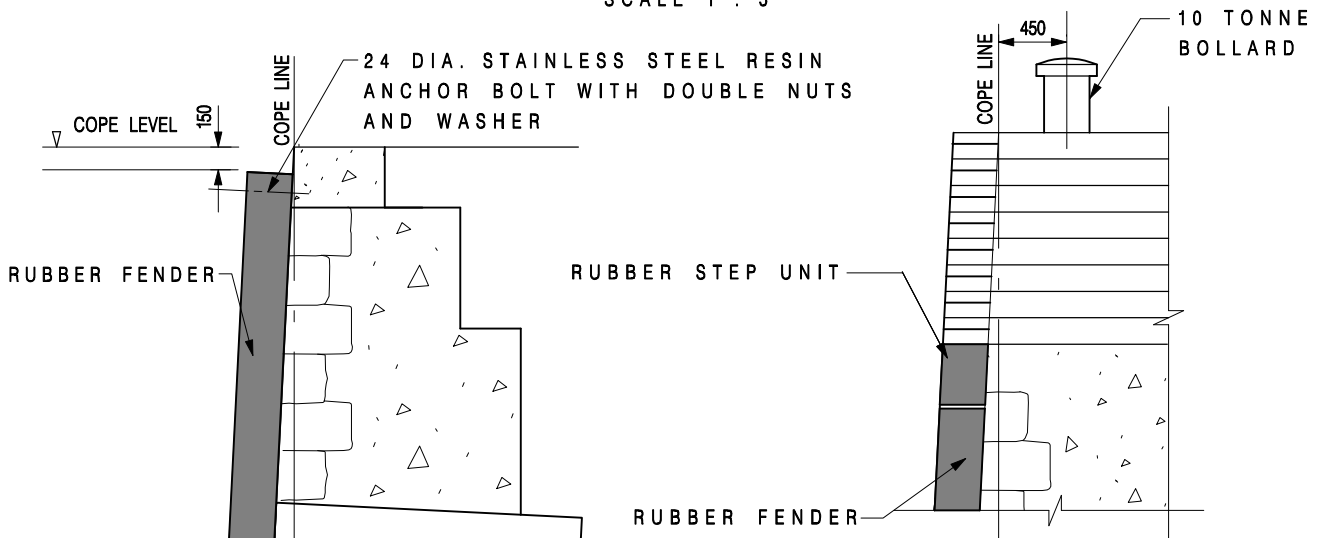
FIXING OF HANDRAIL

SCALE 1 : 10



CONTRACTION JOINT BETWEEN COPING AND BOLLARD FOUNDATION

SCALE 1 : 5



FIXING OF RUBBER FENDER AND STEP UNIT ON LANDING STEP

SCALE 1 : 50

FIXING OF RUBBER FENDER ON SEAWALL

SCALE 1 : 50

D	DRAWING TITLE AMENDED.	Original Signed	03.2015
C	GRANITE FACING STONE ON THE WHOLE LANDING	Original Signed	10.2004
B	NAME OF DEPARTMENT AMENDED.	Original Signed	09.2004
A	FIXING DETAILS OF HANDRAIL ON COPING REVISED, TIMBER FENDERS CHANGED TO RUBBER FENDERS AND TIMBER FIXING DETAIL DELETED	Original Signed	12.2002
REF.	REVISION	SIGNATURE	DATE

GRAVITY SEAWALL LANDING

(SHEET 3 OF 5)



CIVIL ENGINEERING AND DEVELOPMENT DEPARTMENT

SCALE AS SHOWN

DRAWING NO.

DATE JAN 1991

C3009 /3D