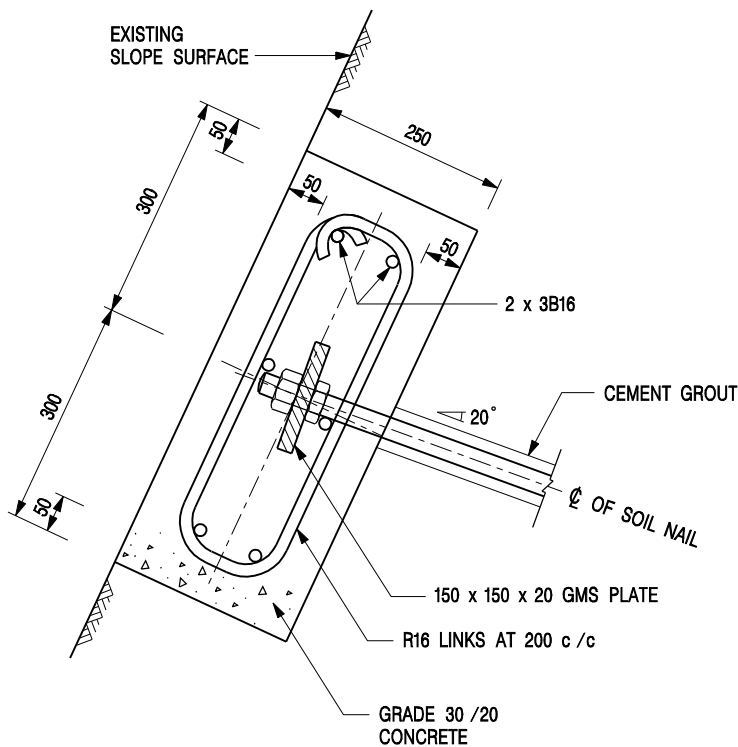


NORMAL VIEW TO THE SLOPE FACE

SCALE 1 : 20



SECTION A - A

SCALE 1 : 10

NOTES:

1. ALL DIMENSIONS ARE IN MILLIMETRES.
2. DETAILS OF THE OPENINGS AT THE MILD STEEL PLATE FOR PASSING THROUGH THE STEEL BAR AND WIRE SHALL BE REFERRED TO THE LATEST VERSION OF STD. DRG. NO. C2106.
3. B DENOTES GRADE 500B RIBBED REINFORCEMENT.
4. R DENOTES GRADE 250 PLAIN REINFORCEMENT.

A	BAR NOTATIONS AMENDED.	Original Signed	12.2014
-	NEW ISSUE.	Original Signed	06.2009
REF.	REVISION	SIGNATURE	DATE

**DETAILS OF EMBEDDED
TIE BEAM
FOR STEEP CUT SLOPES**



**CIVIL ENGINEERING AND
DEVELOPMENT DEPARTMENT**

SCALE AS SHOWN

DRAWING NO.

DATE JUNE 2009

C2525A