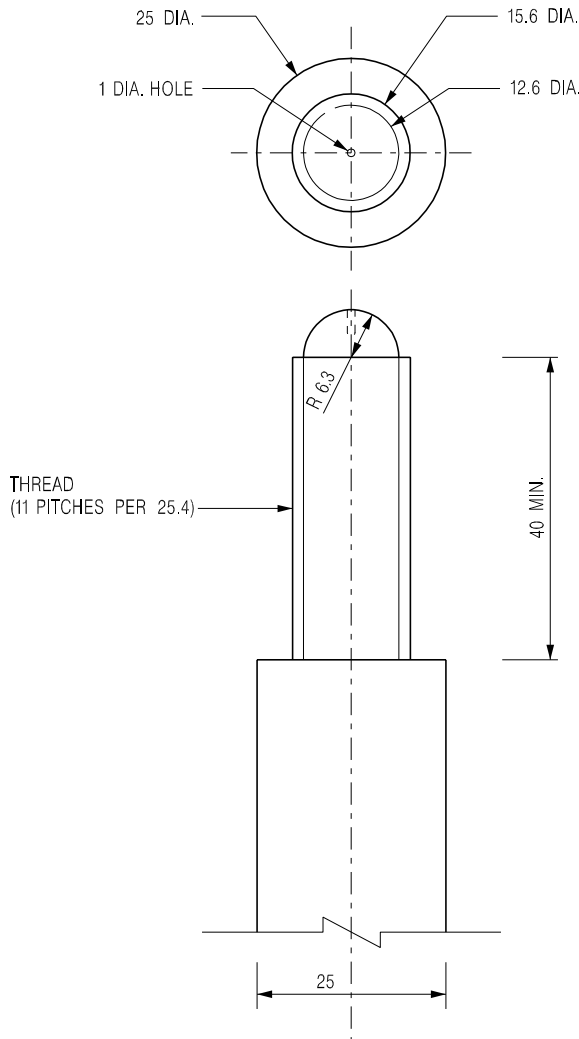


TYPICAL DETAILS
SCALE 1 : 20



DETAIL 'A'
SCALE 1 : 1

NOTES:

1. ALL DIMENSIONS ARE IN MILLIMETRES.

A	NAME OF DEPARTMENT AMENDED.	Original Signed	01.2005
-	NEW ISSUE.	Original Signed	12.2002
REF.	REVISION	SIGNATURE	DATE

**GROUND SETTLEMENT
MARKER**



**CIVIL ENGINEERING AND
DEVELOPMENT DEPARTMENT**

SCALE AS SHOWN

DRAWING NO.

DATE DEC 2002

C2512A