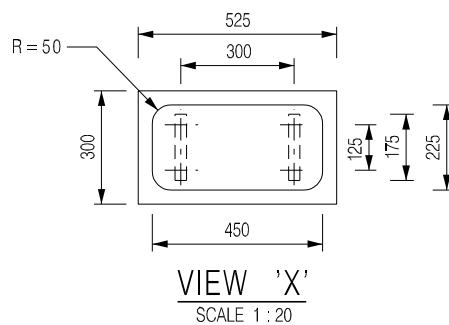



DETAILS OF MOUNTING ON SLOPE
DIAGRAMMATIC



C	MINOR AMENDMENT.	Original Signed	01.2010
B	NAME OF DEPARTMENT AMENDED.	Original Signed	01.2005
A	GENERAL REVISION.	Original Signed	12.2002
REF.	REVISION	SIGNATURE	DATE

DISPLAY SIGN
FOR SLOPE REGISTRATION NUMBER
(SHEET 2 OF 2)

 CIVIL ENGINEERING AND DEVELOPMENT DEPARTMENT	
SCALE AS SHOWN	DRAWING NO.
DATE SEPT 98	C2505 / 2C