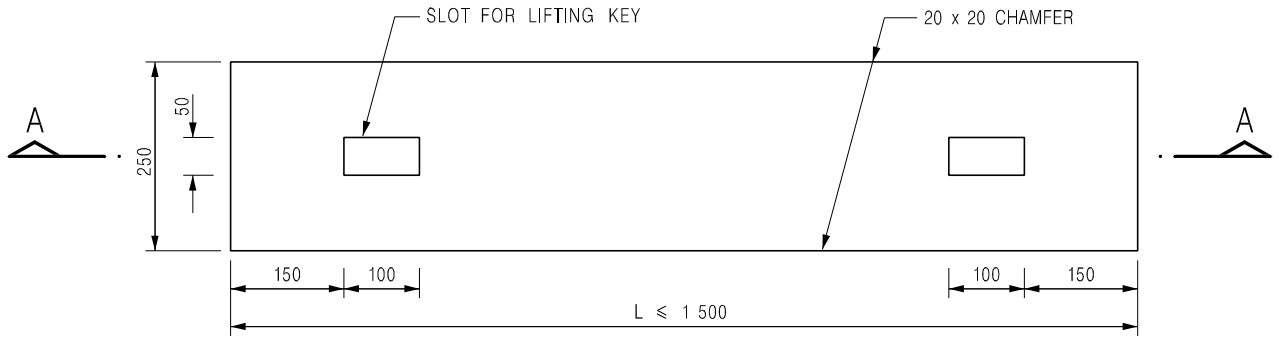
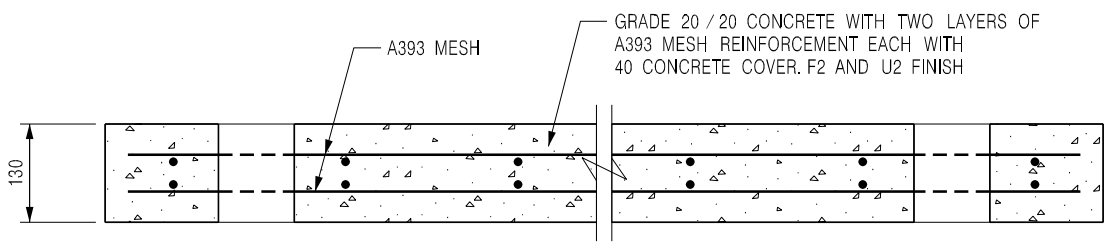


SECTION A - A

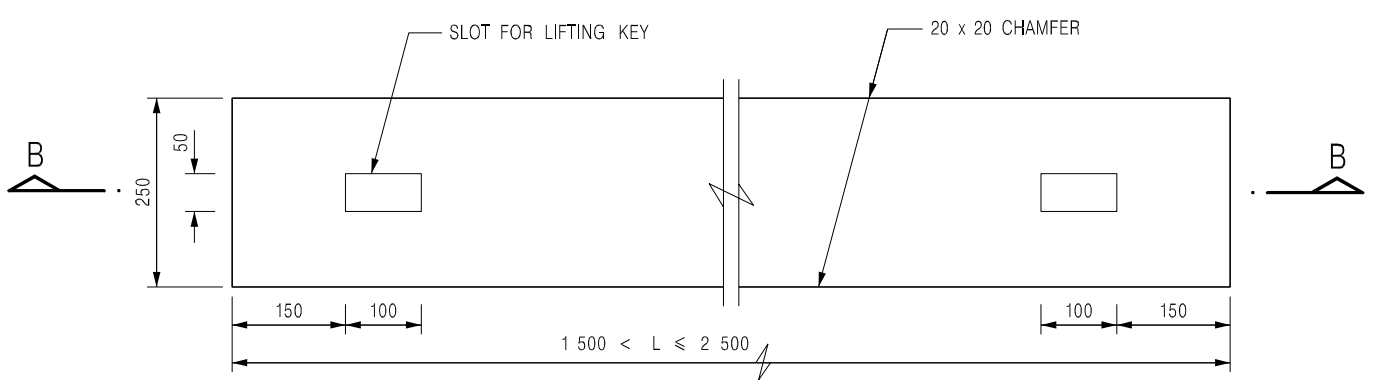


PLAN

TYPE 1 - FOR SPAN UP TO 1.5 m



SECTION B - B



PLAN

TYPE 2 - FOR SPANS 1.5 m TO 2.5 m

NOTES:

1. ALL DIMENSIONS ARE IN MILLIMETRES.
2. ALL EXTERNAL EDGES OF THE COVERS SHALL BE 20mm CHAMFERED.

B	NAME OF DEPARTMENT AMENDED.	Original Signed	01.2005
A	GENERAL REVISION	Original Signed	12.2002
REF.	REVISION	SIGNATURE	DATE

PRECAST CONCRETE COVERS
FOR CATCHPIT AND SAND TRAP



CIVIL ENGINEERING AND
DEVELOPMENT DEPARTMENT

SCALE 1 : 10
DATE JAN 1991

DRAWING NO.
C2407B