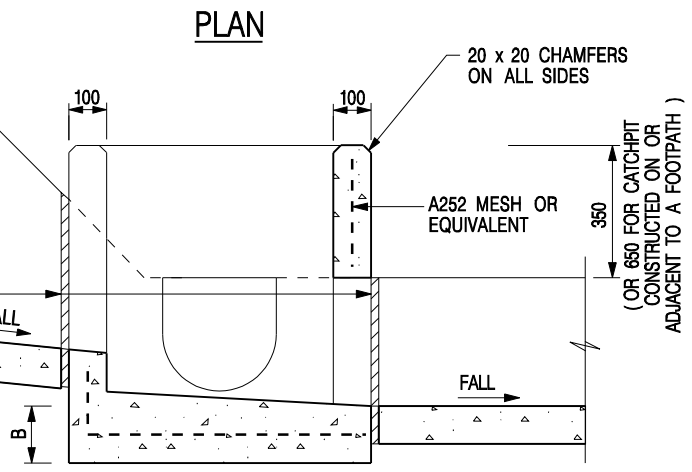
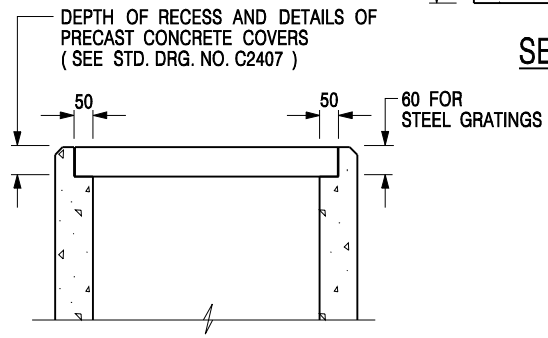


NOMINAL SIZE (LARGEST OF H1, H2, H3 & H4)	B
300 - 600	150
675 - 900	175

20 THICK APPROVED CELLULAR JOINT FILLER SEALED WITH 20 x 20 Tk POLYSULPHIDE JOINT SEALANT




SECTION A - A



ALTERNATIVE TOP SECTION FOR PRECAST CONCRETE COVERS / GRATINGS

- NOTES:**
1. ALL DIMENSIONS ARE IN MILLIMETRES.
 2. REFER TO SHEET 5 FOR OTHER NOTES.

**STANDARD CATCHPIT DETAILS
(SHEET 1 OF 5)**

-	FORMER DRG. NO. C2405J.	Original Signed	03.2015
REF.	REVISION	SIGNATURE	DATE
 CIVIL ENGINEERING AND DEVELOPMENT DEPARTMENT		SCALE 1 : 20	
		DATE JAN 1991	
		DRAWING NO. C2405 / 1	