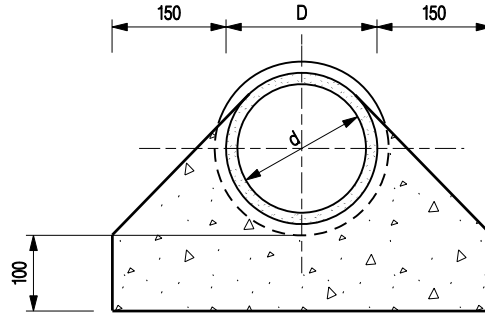
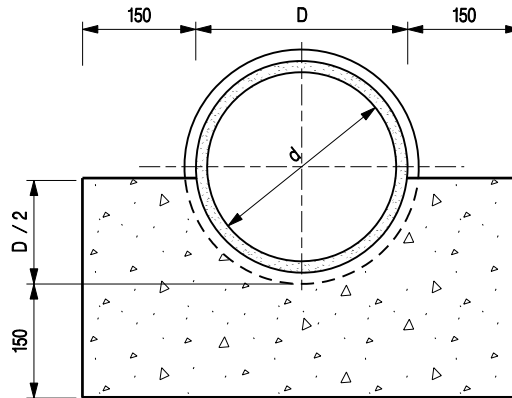


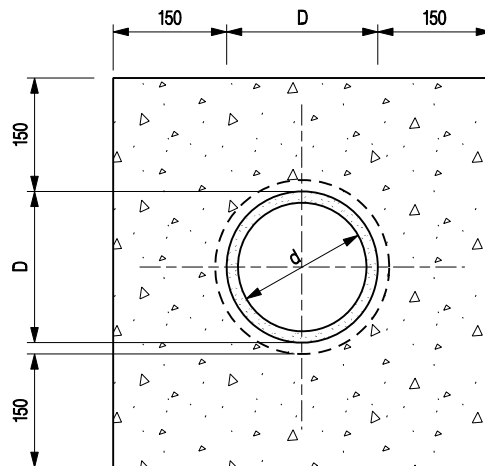
**BEDDING**



**HAUNCHING FOR PIPES UP TO 225 DIAMETER (d)**



**HAUNCHING FOR PIPES GREATER THAN 225 DIAMETER (d)**




**CONCRETE ENCASEMENT**

**NOTES:**

1. ALL DIMENSIONS ARE IN MILLIMETRES.
2. ALL CONCRETE SHALL BE GRADE 20/20.

**BEDDING, HAUNCHING AND ENCASEMENT DETAILS FOR PIPES**

A	NAME OF DEPARTMENT AMENDED	Original Signed	02.2005
<b>REF.</b>	<b>REVISION</b>	<b>SIGNATURE</b>	<b>DATE</b>
 <b>CIVIL ENGINEERING AND DEVELOPMENT DEPARTMENT</b>		<b>DRAWING NO.</b>	
		<b>C1009A</b>	
<b>SCALE</b> DIAGRAMMATIC		<b>DATE</b> JAN 1991	