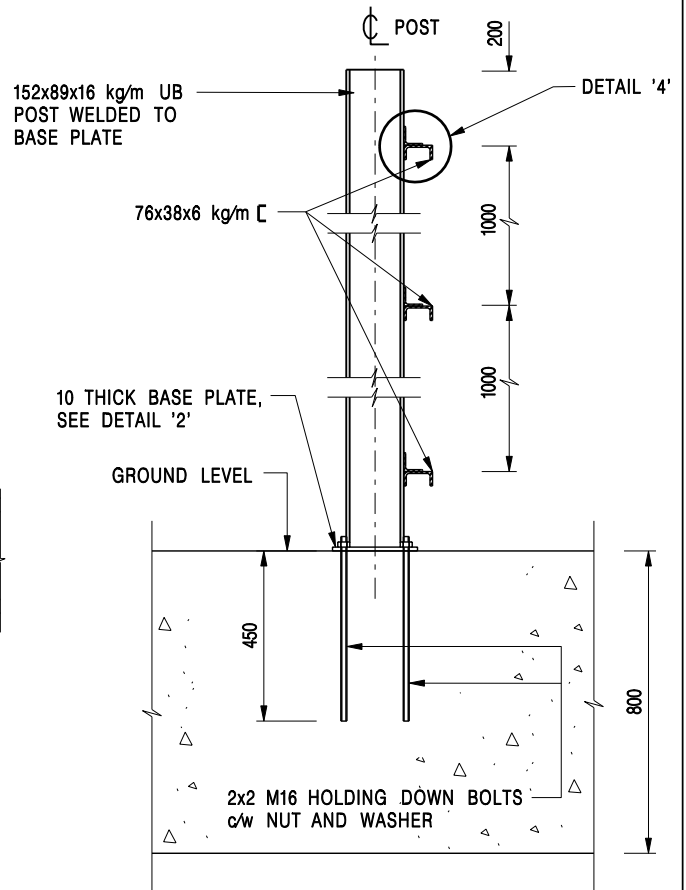


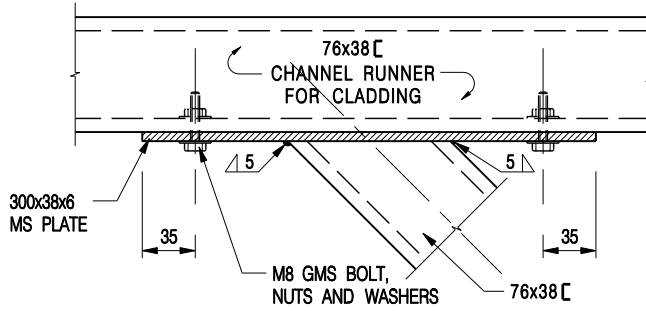
DETAIL '4'

SCALE 1:5



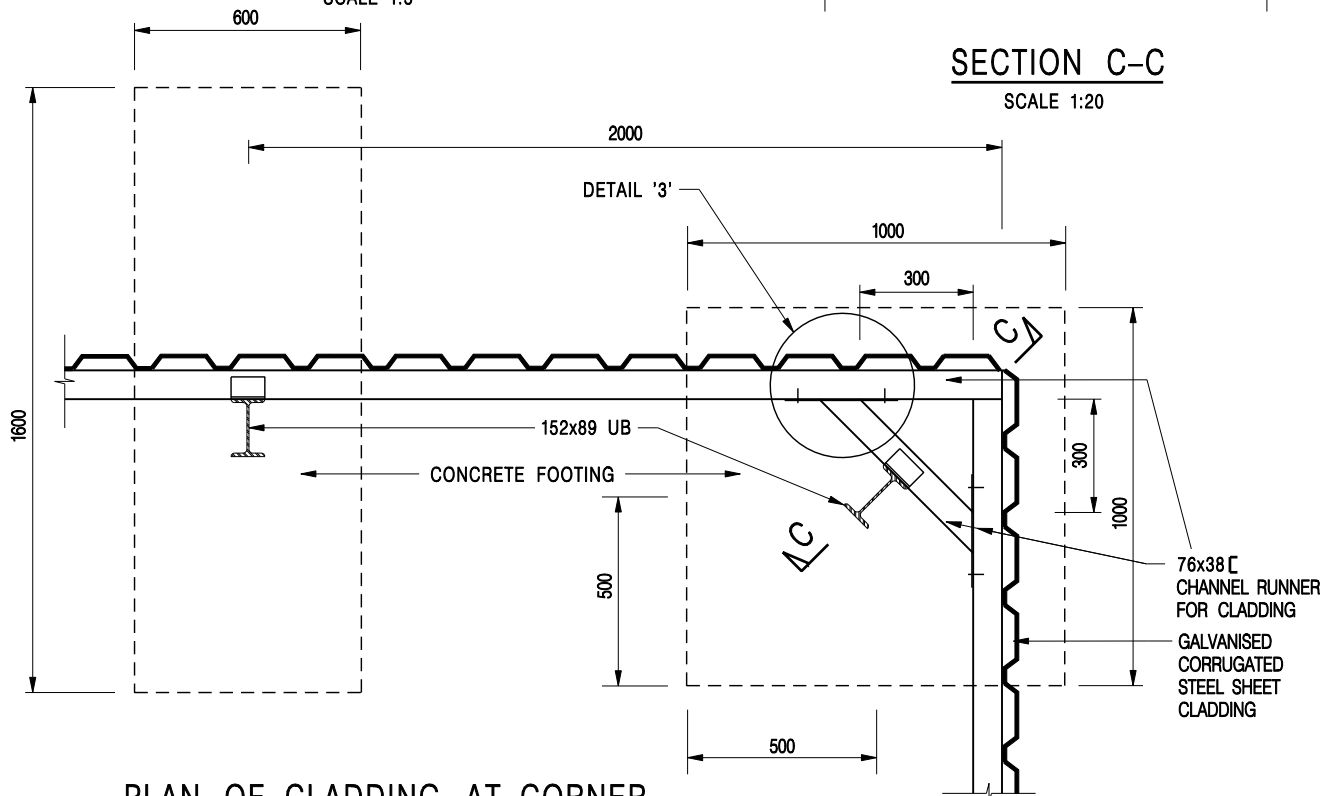
SECTION C-C

SCALE 1:20



DETAIL '3'

SCALE 1:5



PLAN OF CLADDING AT CORNER

SCALE 1:20

I	MINOR AMENDMENT & TITLE AMENDED	Original Signed	03.2015
H	NOTE AMENDED	Original Signed	09.2007
G	GENERAL REVISION	Original Signed	10.2006
F	NAME OF DEPARTMENT AMENDED	Original Signed	02.2005
REF.	REVISION	SIGNATURE	DATE

**HOARDING TYPE I
(SHEET 3 OF 3)**



**CIVIL ENGINEERING AND
DEVELOPMENT DEPARTMENT**

SCALE AS SHOWN

DRAWING NO.

DATE OCT 1991

C1004/31