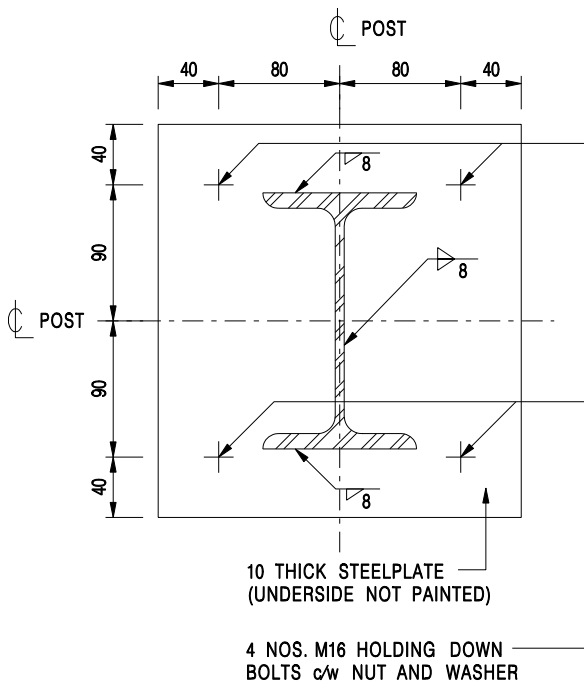
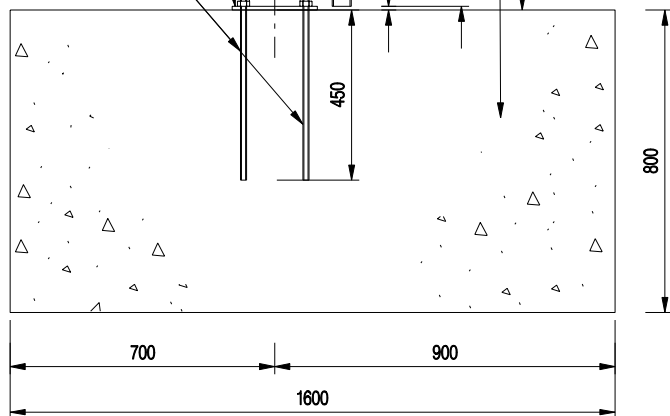


DETAIL '1'
SCALE 1:5

2x2 M16 HOLDING DOWN BOLTS
c/w NUT AND WASHER



DETAIL '2'
SCALE 1:5



SECTION A-A
SCALE 1:20

I	MINOR AMENDMENT & TITLE AMENDED	Original Signed	03.2015
H	NOTE AMENDED	Original Signed	09.2007
G	NOTE AMENDED	Original Signed	10.2006
F	NAME OF DEPARTMENT AMENDED	Original Signed	02.2005
E	GENERAL REVISION	Original Signed	01.2004
REF.	REVISION	SIGNATURE	DATE

HOARDING TYPE I
(SHEET 2 OF 3)



**CIVIL ENGINEERING AND
DEVELOPMENT DEPARTMENT**

SCALE AS SHOWN

DRAWING NO.

DATE OCT 1991

C1004/21