

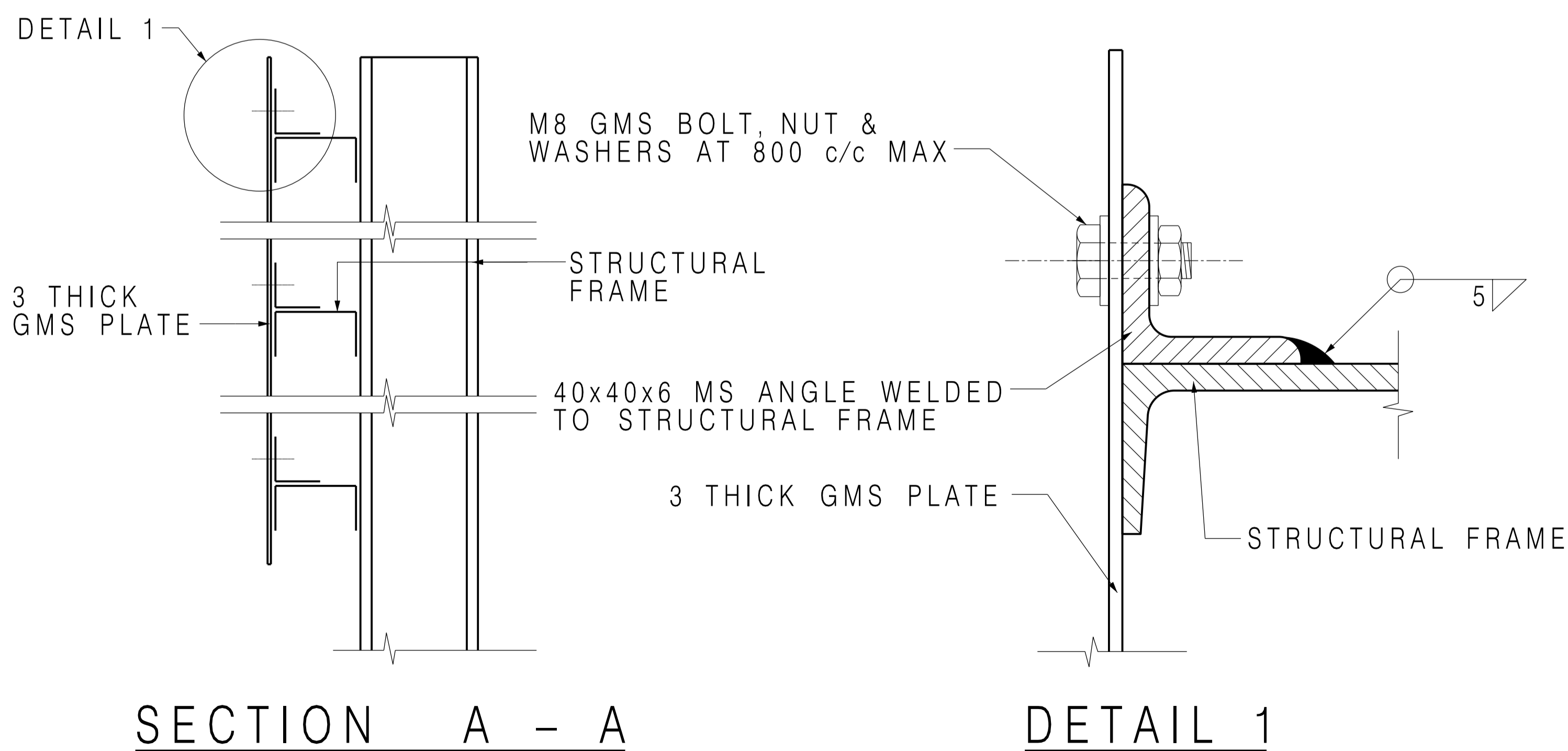
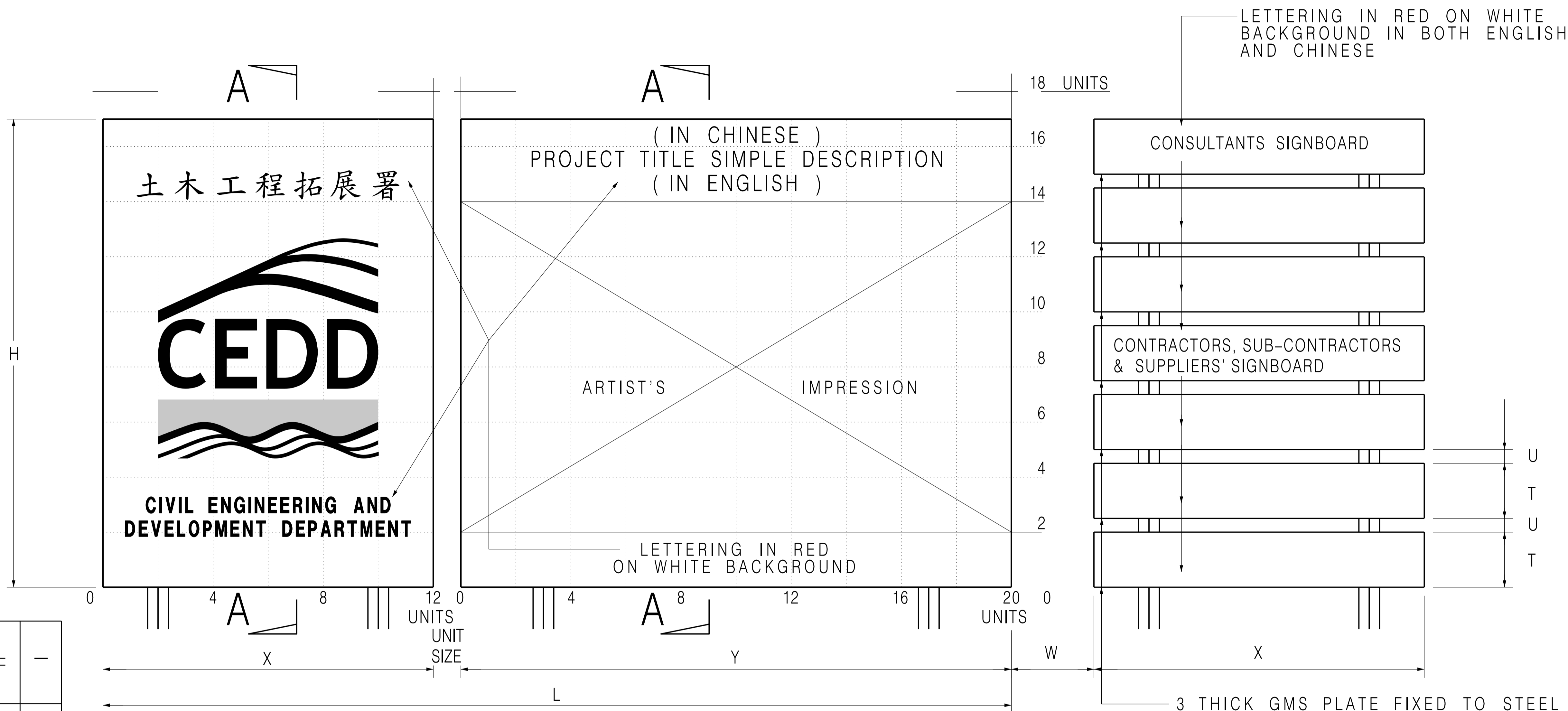
MAJOR PROJECT SIGNBOARD
(SHEET 1 OF 2)

SCALE DIAGRAMMATIC DRAWING NO. C1002/11

DATE OCT 1991

CIVIL ENGINEERING AND DEVELOPMENT DEPARTMENT

REF.	REVISION	SIGNATURE	DATE
I	NOTES 3 & 4 AMENDED	Original Signed	01.2022
H	NOTE 4 AMENDED	Original Signed	09.2018
G	MINOR AMENDMENT & TITLE AMENDED	Original Signed	03.2015
F	NOTES 3, 4, 5 & 7 AMENDED	Original Signed	09.2007



NOTES:

- ALL DIMENSIONS ARE IN MILLIMETRES.
- ALL LETTERING IN RED TO BS 5252:1976 COLOUR CODE 04E53 OR SIMILAR.
- ALL GMS PANEL PLATES SHALL BE PAINTED WITH SYSTEM H STATED IN TABLE 24.9 OF SECTION 24 OF GS 2020.
- THE STRUCTURAL FRAME SHALL BE OF GRADE S275 STEEL TO BS EN 10025 AND SHALL BE PAINTED WITH SYSTEM A STATED IN APPENDIX 18.2.2 OF GS 2020.
- UNLESS SPECIFIED OTHERWISE, ALL WELDS SHALL BE 5mm CONTINUOUS FILLET WELDS.
- THE FIXING DETAILS HAVE BEEN DESIGNED FOR WIND LOAD OF NORMAL EXPOSED URBAN CONDITION.
- REFER TO LATEST VERSION OF DRG. No. C1001 FOR DETAILS OF THE DEPARTMENTAL LOGO.