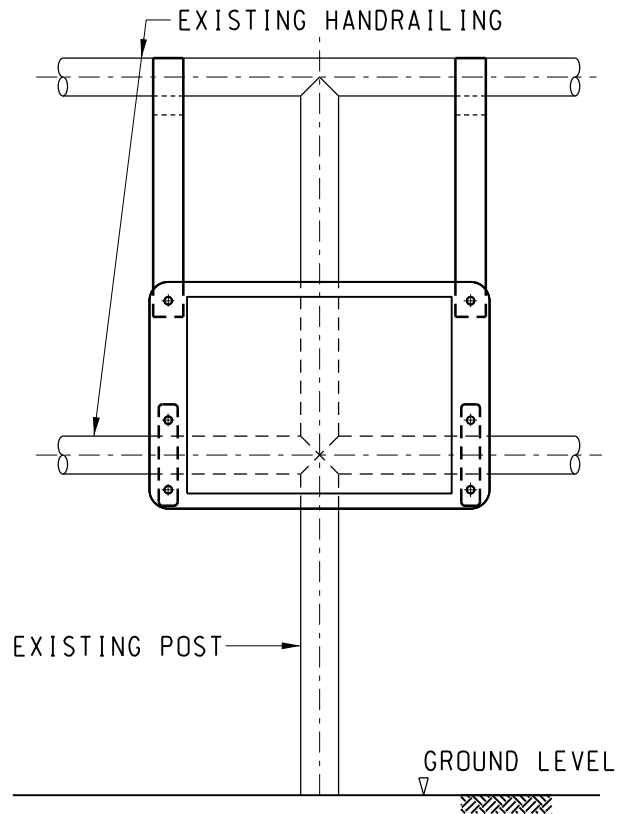
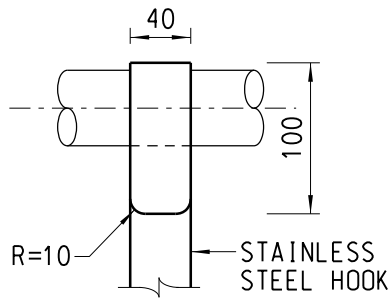


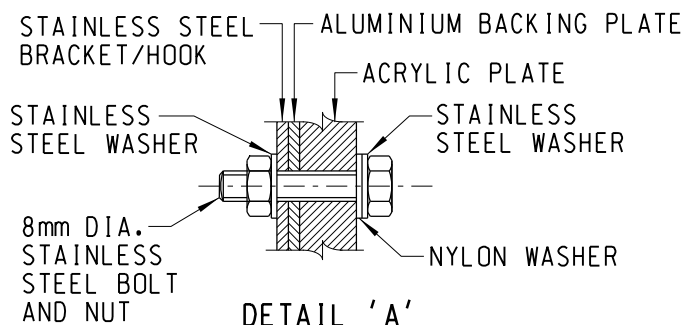
END VIEW
SCALE 1:10



ELEVATION
SCALE 1:10



VIEW 'A'
SCALE 1 : 5



DETAIL 'A'
SCALE 1 : 2

FIXING DETAILS OF STRUCTURE NUMBER PLATE AND INFORMATION PLATE AT HANDRAILING

NOTES :

1. ALL DIMENSIONS ARE IN MILLIMETRES.
2. FOR DETAILS OF STRUCTURAL NUMBER PLATE AND INFORMATION PLATE, SEE DRAWING NOS. C3019/1 AND C3019/2.
3. ALL SHARP METAL EDGES OF HOOKS SHOULD BE POLISHED BEFORE INSTALLATION.
4. THE LOCATION OF STRUCTURAL NUMBER PLATE AND INFORMATION PLATE SHOULD BE AGREED BY PORT WORKS DIVISION OF CEDD. FOR FIXING DETAILS OF THE PLATES ON BEAM/COPING/VERTICAL WALL, SEE DRAWING NO. C3019/3.

STRUCTURE NUMBER PLATE AND INFORMATION PLATE

(SHEET 4 OF 4)

| | | | |
|------|-----------|-----------------|---------|
| - | NEW ISSUE | Original Signed | 11.2020 |
| REF. | REVISION | SIGNATURE | DATE |



CIVIL ENGINEERING AND DEVELOPMENT DEPARTMENT

SCALE AS SHOWN

DRAWING NO.

DATE NOV 2020

C3019 / 4