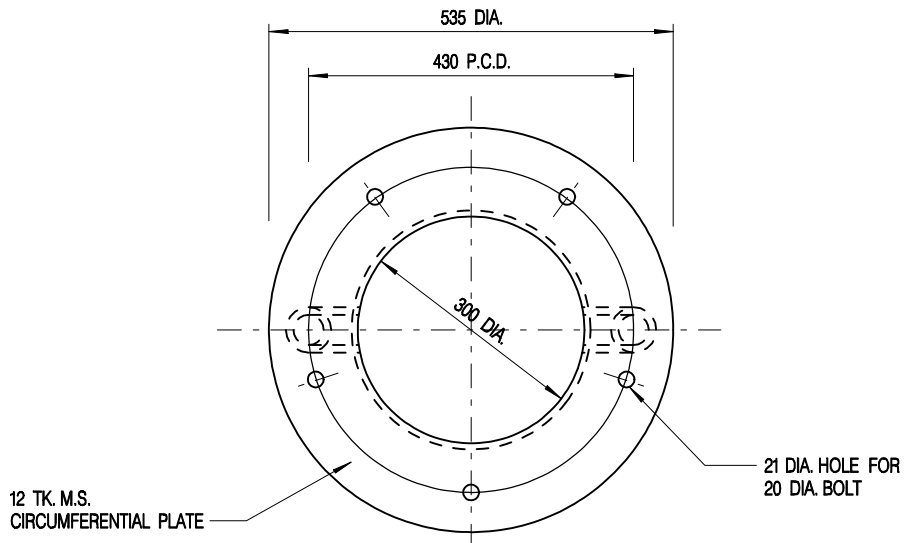


SECTION B-B

SCALE 1:15



SECTION C-C

SCALE 1:10

NOTE:

- 1 ALL NOTES ARE SHOWN IN DRAWING NO. C3018/1.

A	DRAWING TITLE AMENDED	Original Signed	06.2019
REF.	REVISION	SIGNATURE	DATE

**SOLAR ENERGY TYPE
NAVIGATION LIGHT POST
(SHEET 3 OF 6)**



**CIVIL ENGINEERING AND
DEVELOPMENT DEPARTMENT**

**SCALE AS SHOWN
DATE JAN 2006**

**DRAWING NO.
C3018 / 3A**