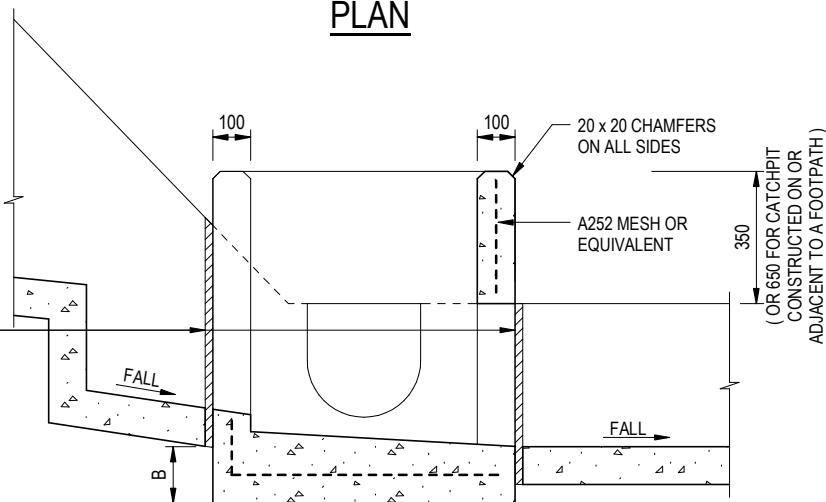


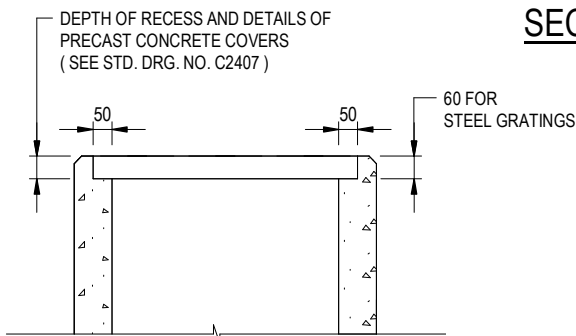
PLAN

NOMINAL SIZE (LARGEST OF H1, H2, H3 & H4)	B
150 - 600	150
675 - 900	175

20 THICK APPROVED CELLULAR JOINT FILLER SEALED WITH 20 x 20 THK. POLYSULPHIDE JOINT SEALANT



SECTION A - A




NOTES:

1. ALL DIMENSIONS ARE IN MILLIMETRES.
2. REFER TO SHEET 5 FOR OTHER NOTES.

ALTERNATIVE TOP SECTION FOR PRECAST CONCRETE COVERS / GRATINGS

A	BIM OBJECT REVISION.	Original Signed	12.2025
-	FORMER DRG. NO. C2405J.	Original Signed	03.2015
REF.	REVISION	SIGNATURE	DATE

STANDARD CATCHPIT DETAILS (SHEET 1 OF 5)

 CIVIL ENGINEERING AND DEVELOPMENT DEPARTMENT	
SCALE 1 : 20	DRAWING NO. C2405 /1A
DATE JAN 1991	