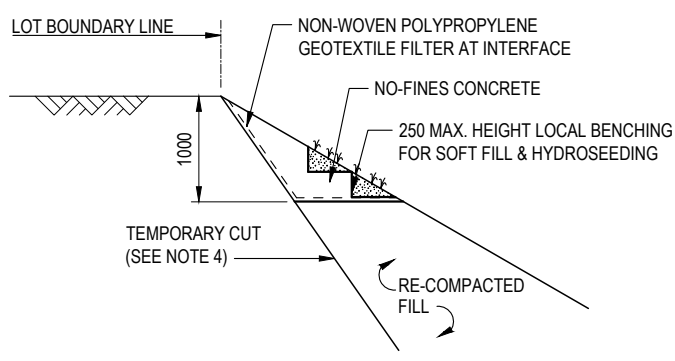
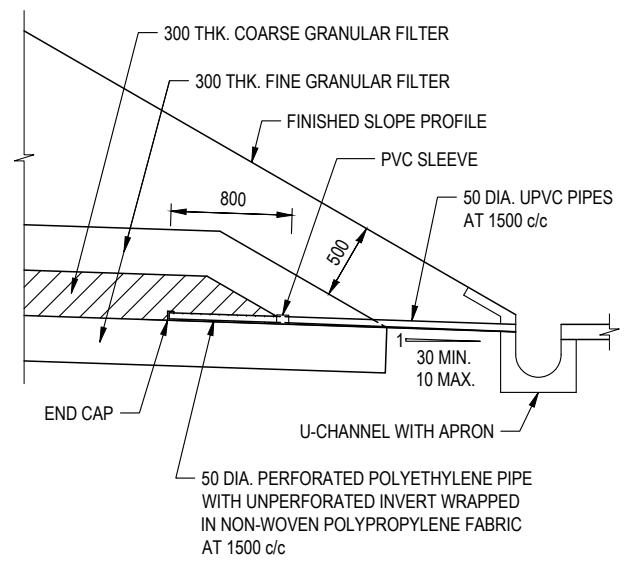


TYPICAL FILTER BLANKET ARRANGEMENT
DIAGRAMMATIC



DETAIL 'X'
DIAGRAMMATIC



DETAIL 'Y'
SCALE 1 : 50

NOTES:

1. ALL DIMENSIONS ARE IN MILLIMETRES.
2. DETAILS OF BENCHING FOR PLACEMENT OF FILL ARE SHOWN ON STD. DRG. NO. C2301.
3. FINE GRANULAR FILTER SERVES AS FILTER FOR SOIL. COARSE GRANULAR FILTER SERVES AS FILTER FOR FINE GRANULAR FILTER. THE GRANULAR FILTERS SHALL BE DESIGNED BY THE CONTRACTOR IN ACCORDANCE WITH GEO PUBLICATION NO. 1 / 93.
4. DIMENSIONS OF TEMPORARY CUT TO BE SPECIFIED BY THE ENGINEER. SUPPORT TO THE TEMPORARY CUT SHALL BE DESIGNED BY THE CONTRACTOR.
5. SINGLE LAYER OF 500 mm THICK GRANULAR FILTER LAYER SHALL BE USED FOR ROCKFILL.

| | | | |
|------|--------------------------------------|-----------------|---------|
| G | BIM OBJECT REVISION. | Original Signed | 12.2025 |
| F | NAME OF DEPARTMENT AMENDED. | Original Signed | 01.2005 |
| E | DETAIL 'Y' AMENDED. | Original Signed | 01.2004 |
| D | GENERAL REVISION. | Original Signed | 12.2002 |
| C | LAYOUT REVISED AND DETAIL 'X' ADDED. | Original Signed | 6.99 |
| B | MINOR AMENDMENT. | Original Signed | 1.96 |
| A | MINOR AMENDMENT. | Original Signed | 3.94 |
| REF. | REVISION | SIGNATURE | DATE |

FILTER BLANKET FOR FILL SLOPE AND FILLING DETAILS AT SLOPE CREST

CEDD
CIVIL ENGINEERING AND DEVELOPMENT DEPARTMENT

| | |
|----------------|-------------|
| SCALE AS SHOWN | DRAWING NO. |
| DATE JAN 1991 | C2302G |